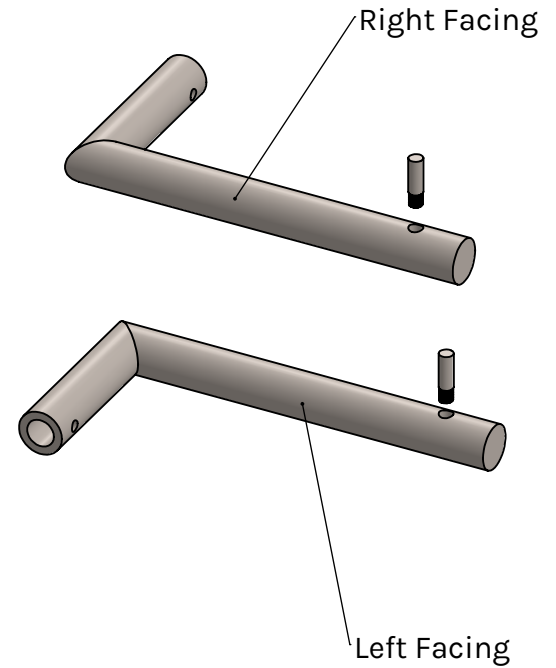
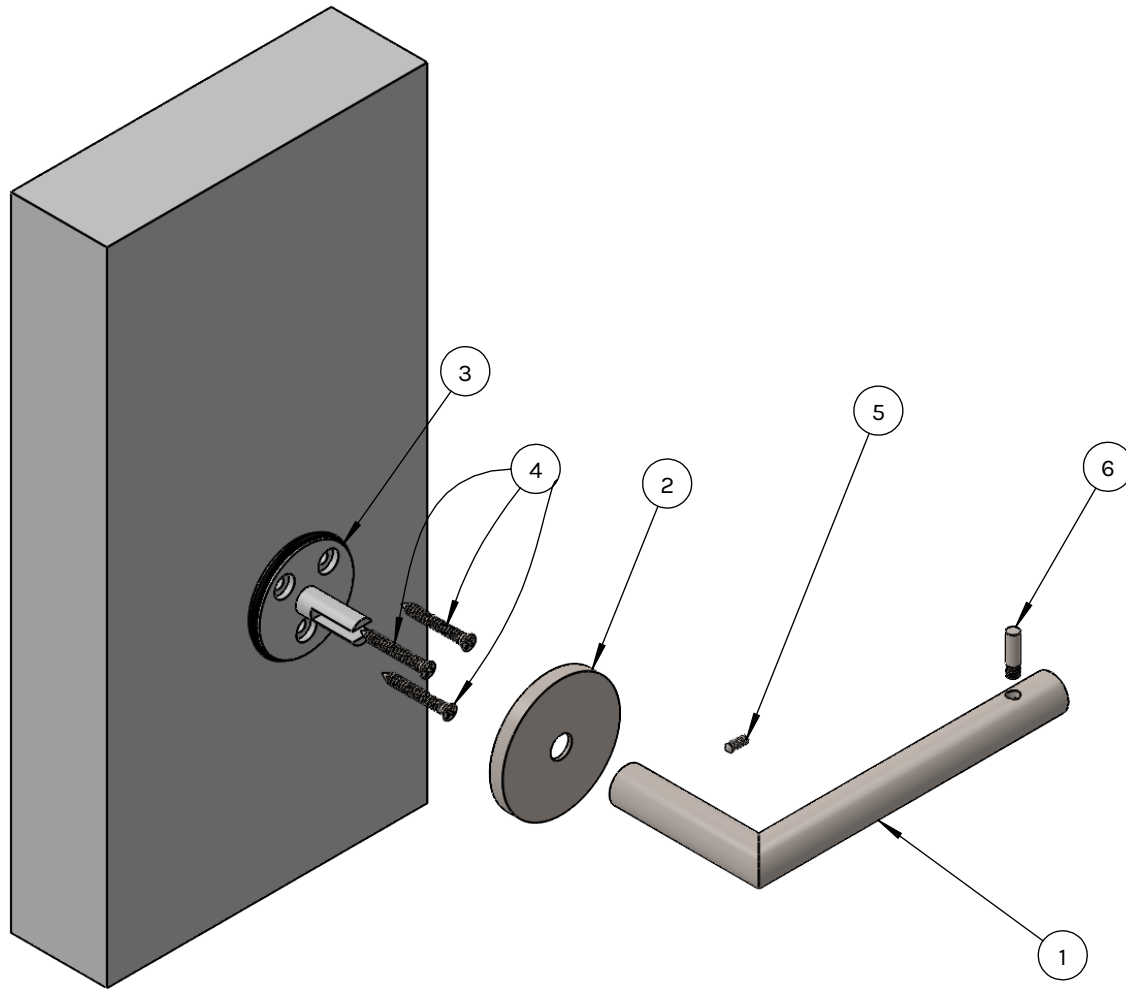


TRH-855R Installation Diagram



ITEM NO.	ITEM NAME	ITEM #	QTY.
1	Body	TRH-855BDY	1
2	Cover Plate Round	COV-R445	1
3	Mounting Plate	MTGP42	1
4	Wood Screw	#8 x 1-1/4"	3
5	M5 Set Screw	SCR-SCM5X4-USS	1
6	Pin	TRH-855PIN	1

