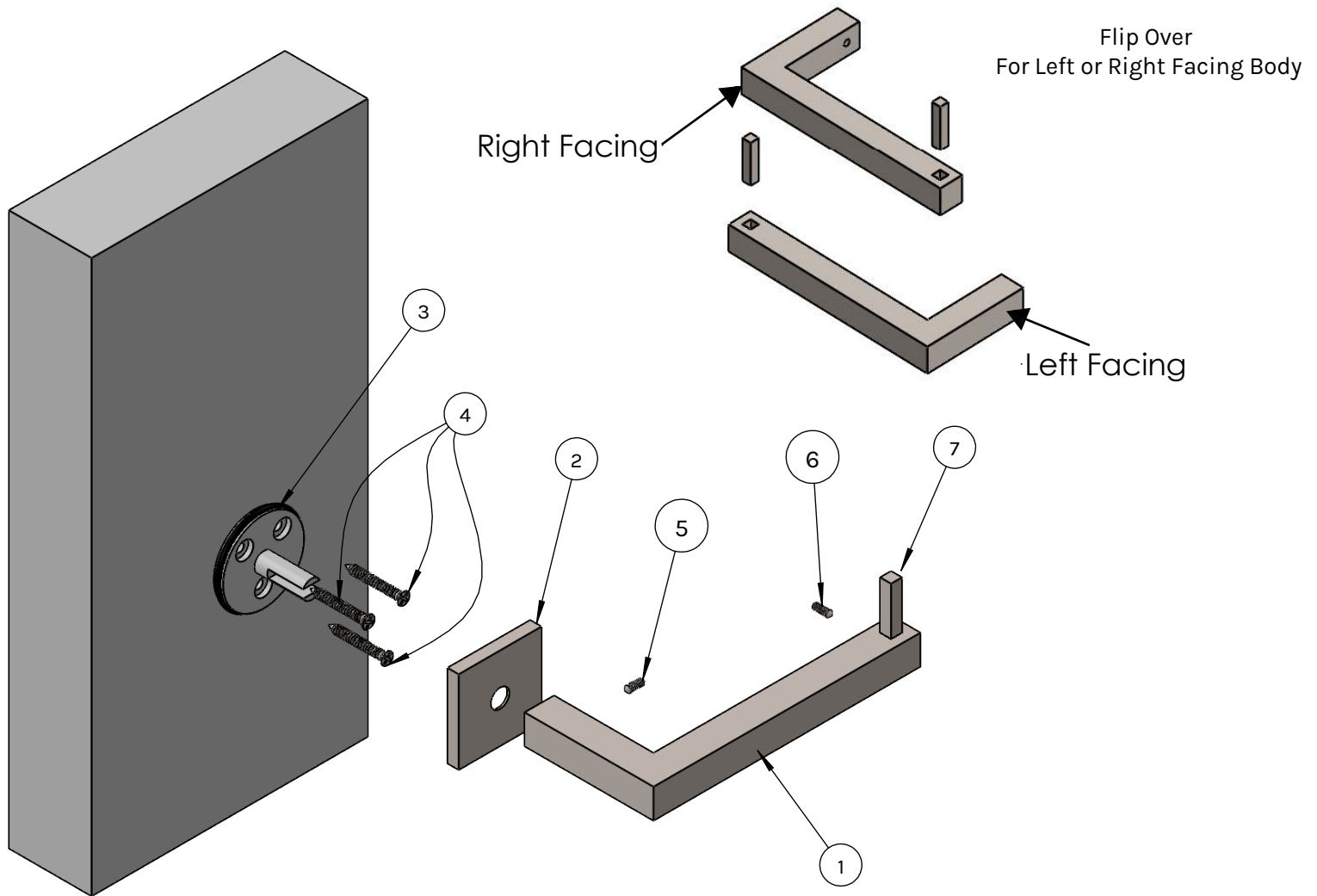


TRH-803 Installation Diagram



ITEM NO.	PART NAME	SKU #	QTY.
1	Body	TRH-803BDY	1
2	Cover Plate	COV-S445	1
3	Mounting Plate	MTGP42	1
4	Wood Screw	#8 x 1-1/4"	3
5	M5 Set Screw	SCR-SCM5X4-USS	1
6	M4 Set Screw	SCR-SCM4X4-USS	1
7	Pin	TRH-803PIN	1

