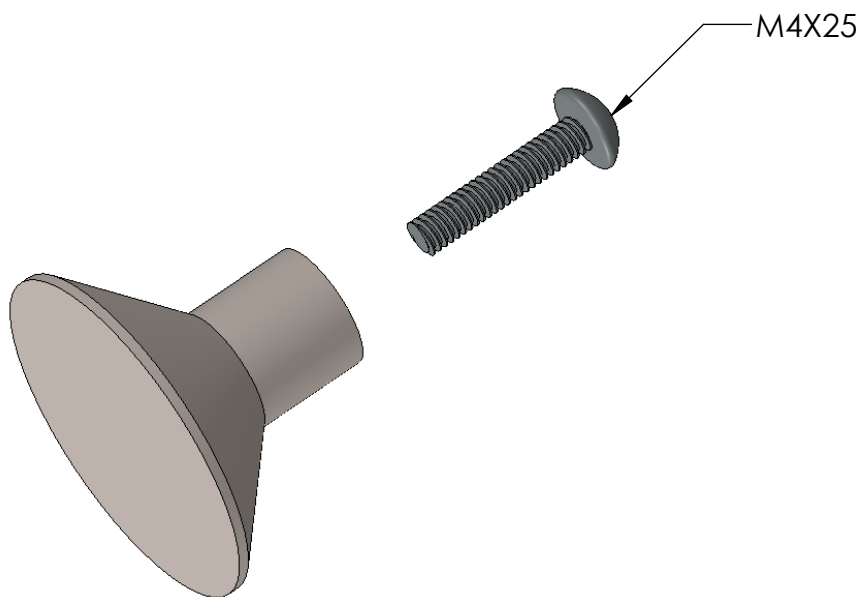
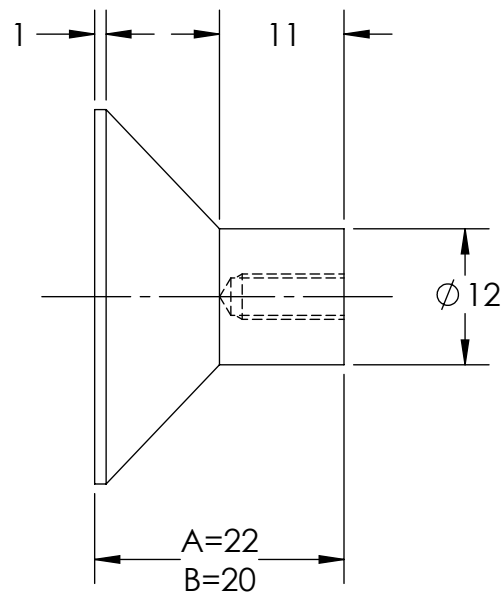


A = ϕ 33
B = ϕ 25



7(A-B)

