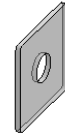
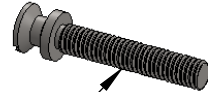
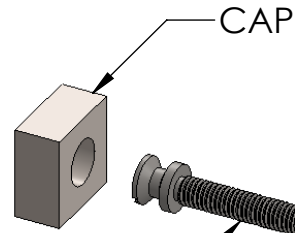
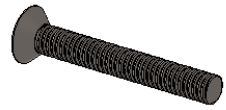
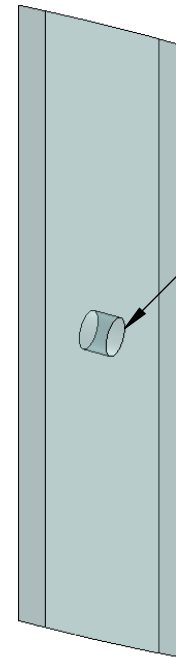


ALTERNATE MOUNTING  
OPTION WITHOUT CAP



M5 SET  
SCREW

MOUNTING  
BOLT  
(244-20:M6 ;  
244-25:M8)



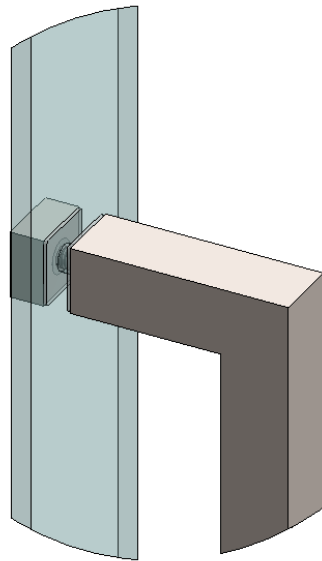
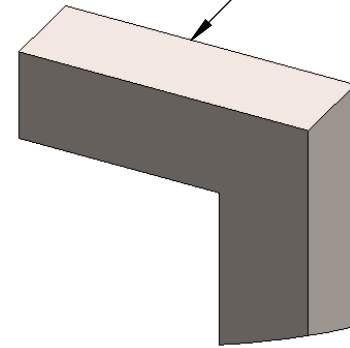
GLASS

HOLE: 7/16" FOR M6 ; 1/2" FOR M8

PLASTIC SLEEVE

WASHER

PULL



**THROUGH BOLT GLASS MTG**

