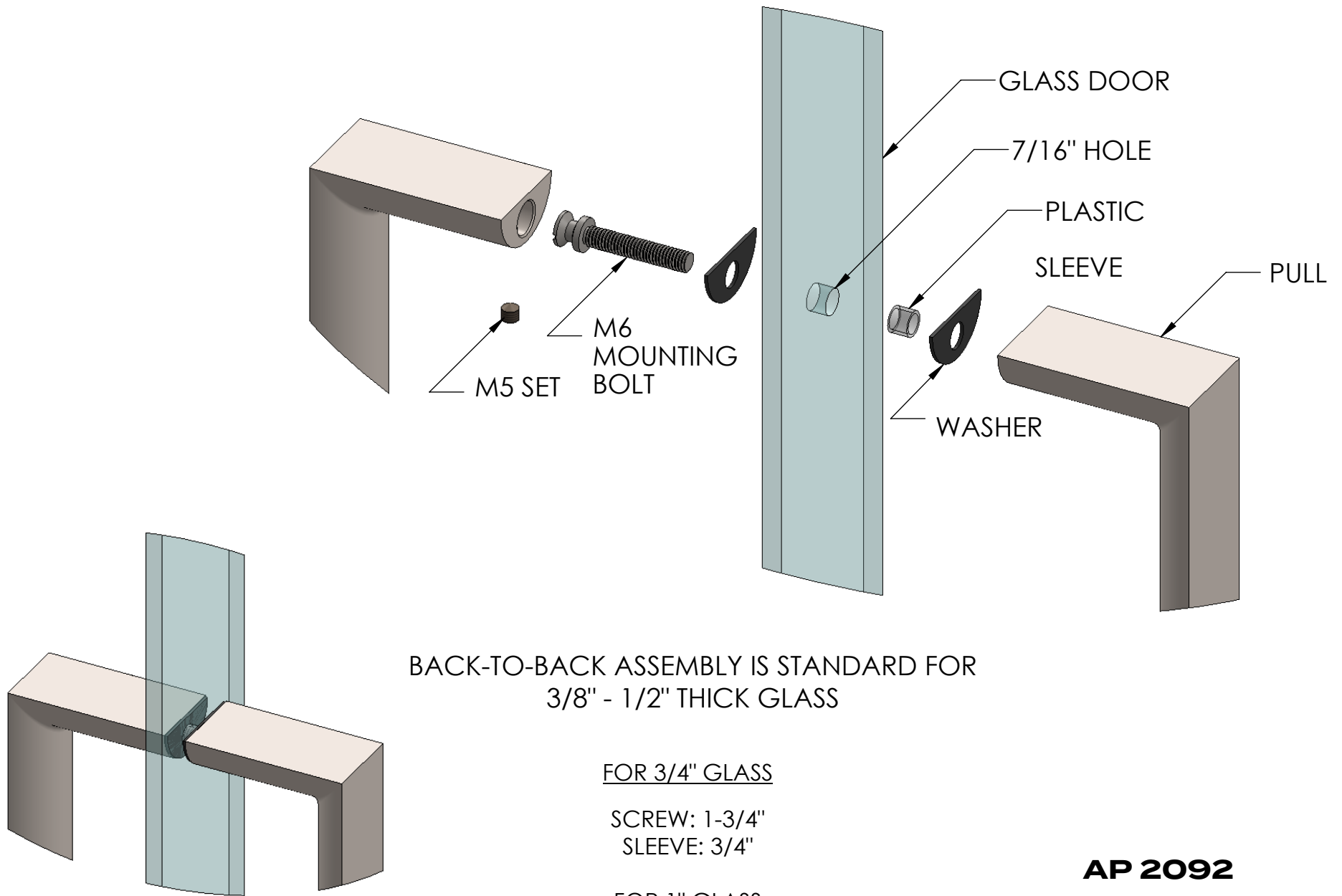


AP2092

Appliance Pull Mounting Guide

Back to Back	2
Surface	4
Through Bolt	5





BACK-TO-BACK ASSEMBLY IS STANDARD FOR
3/8" - 1/2" THICK GLASS

FOR 3/4" GLASS

SCREW: 1-3/4"

SLEEVE: 3/4"

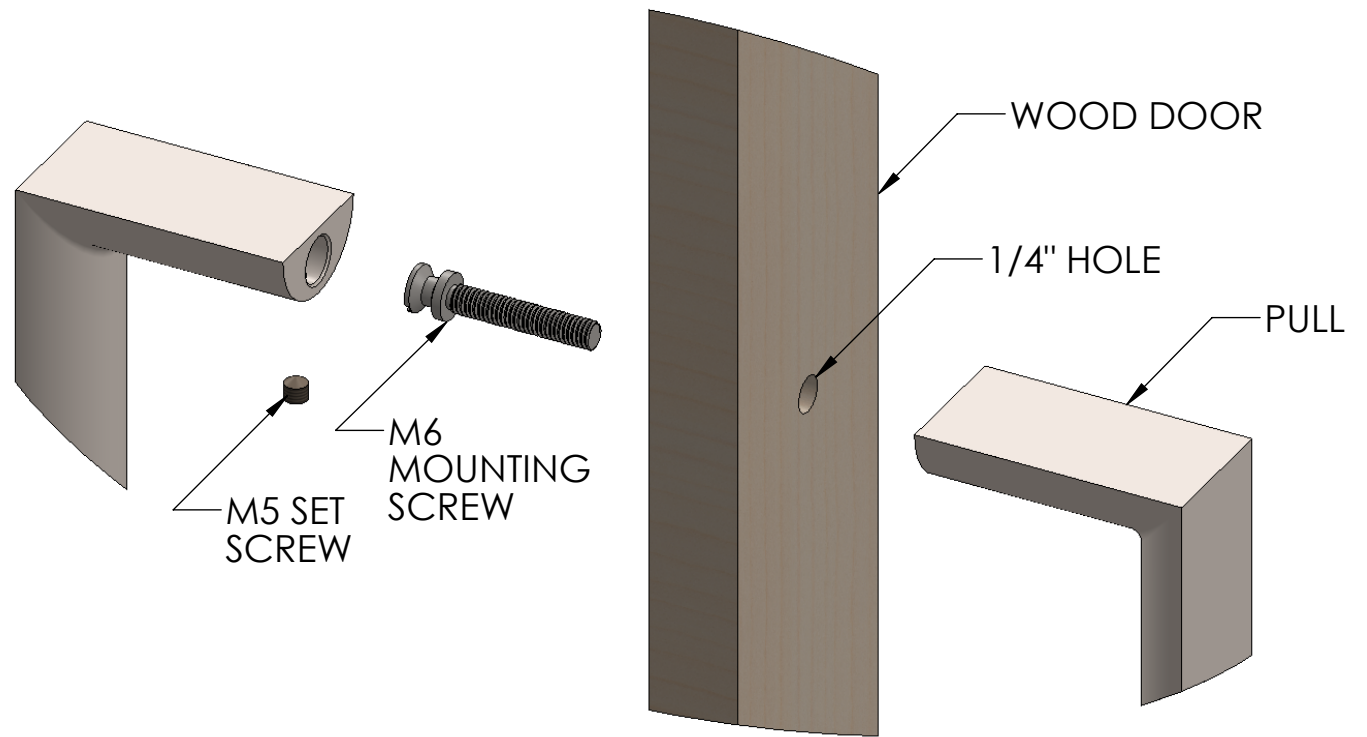
FOR 1" GLASS

SCREW: 2"

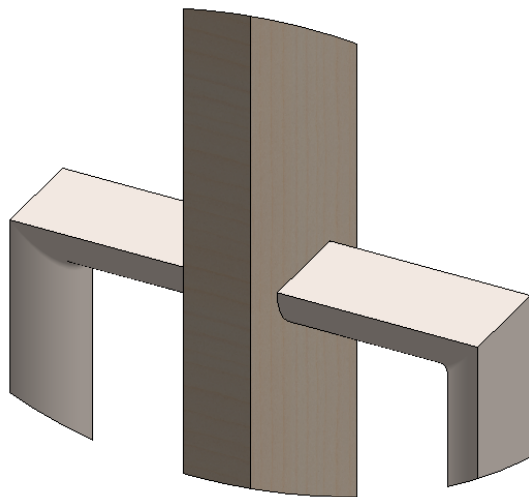
SLEEVE: 1"

AP 2092
BACK-TO-BACK GLASS MTG.



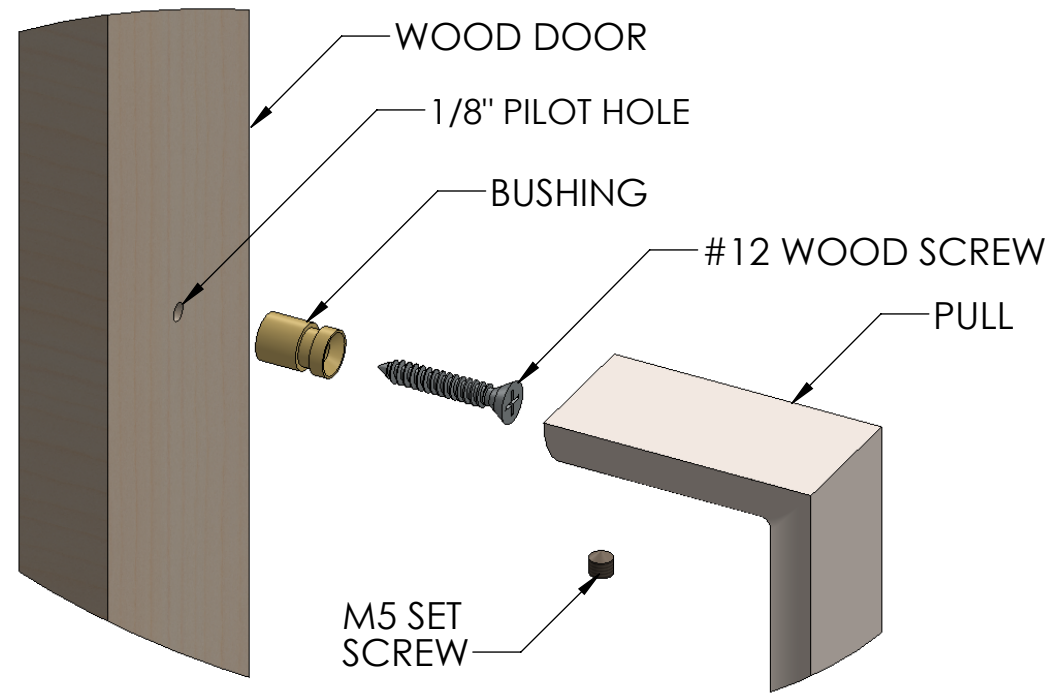


BACK-TO-BACK APPLIANCE PULLS
CAN BE INSTALLED ON ANY
DOOR THICKNESS

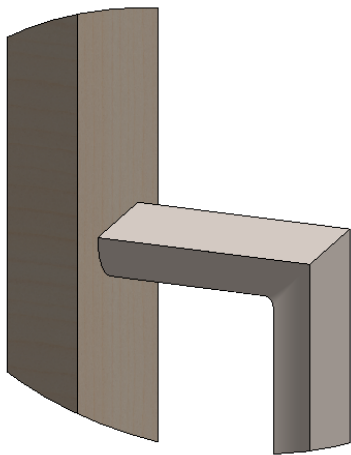


AP 2092
BACK-TO-BACK WOOD MTG.



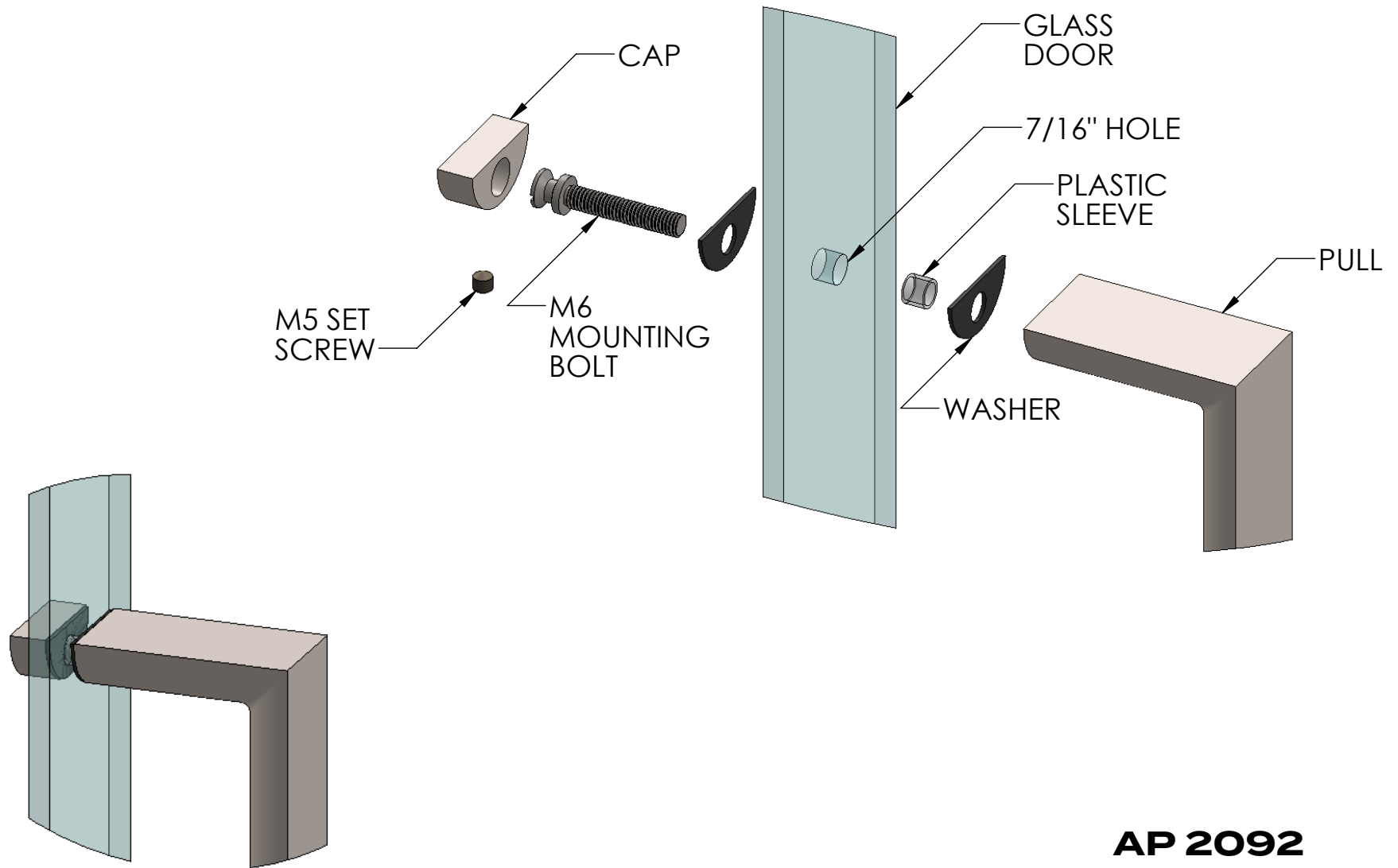


**MINIMUM REQUIRED DOOR
THICKNESS: 1-3/8"**



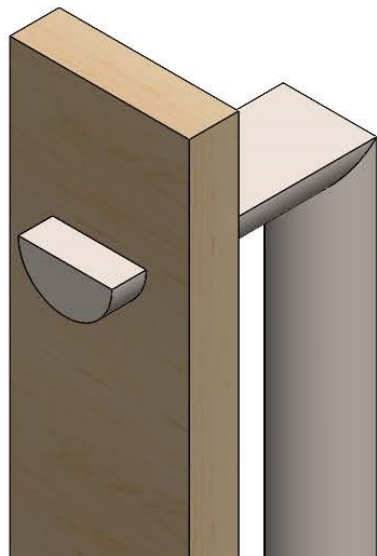
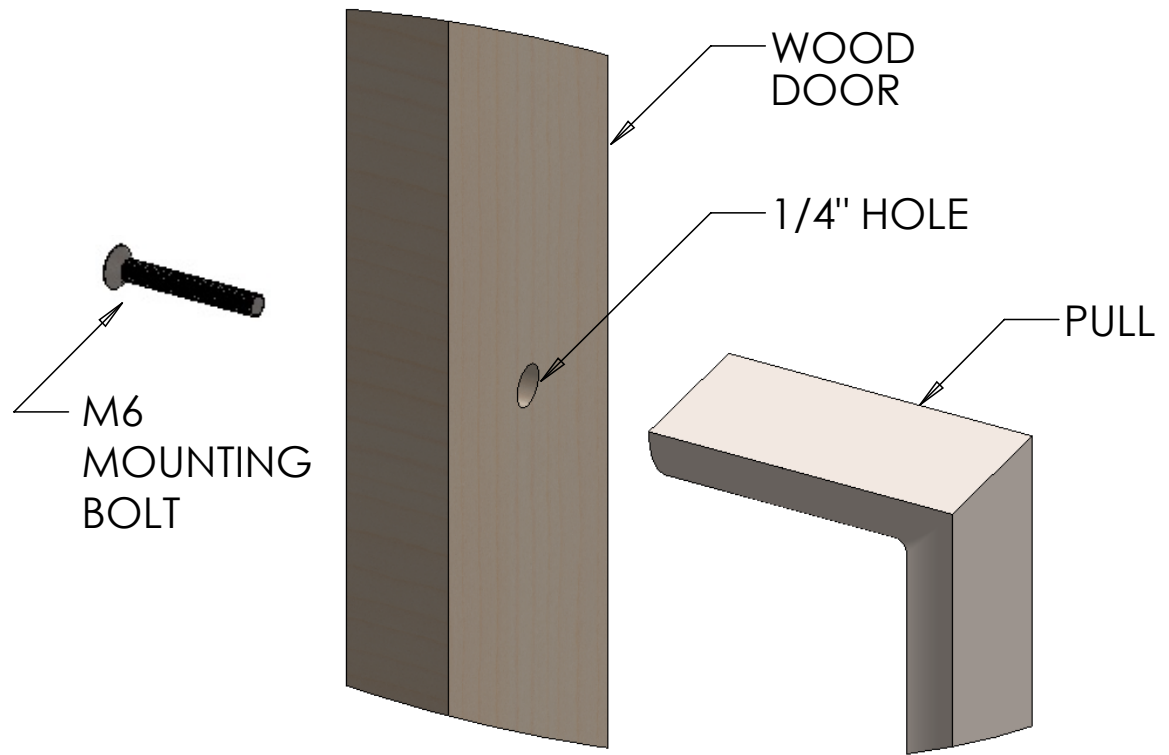
AP 2092
SURFACE WOOD MTG.





AP 2092
THROUGH BOLT GLASS MTG.





OPTIONAL CAP

AP 2092
THROUGH BOLT WOOD MTG.

