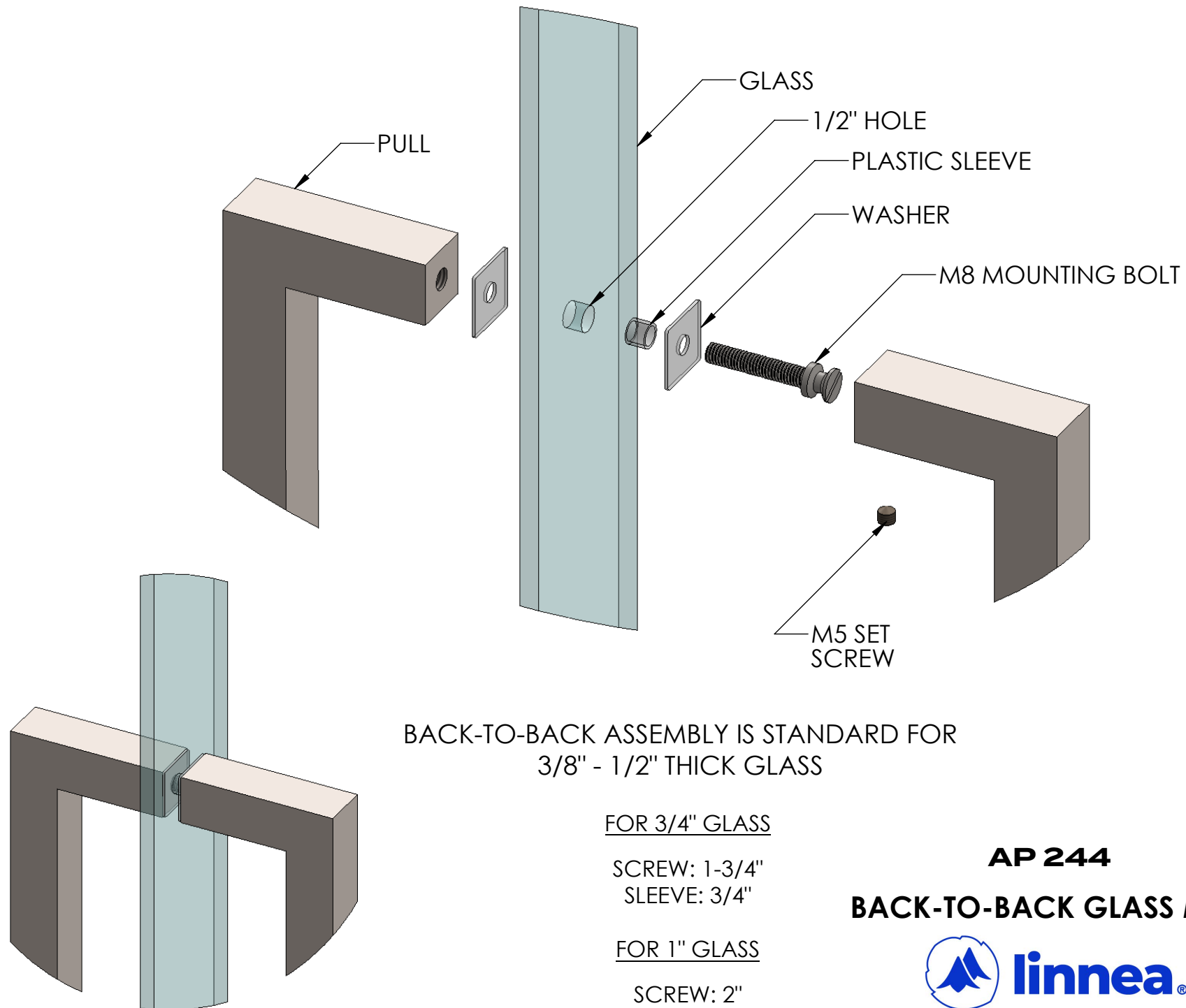


AP244

Appliance Pull Mounting Guide

Back to Back	2
Surface	4
Through Bolt	5





BACK-TO-BACK ASSEMBLY IS STANDARD FOR
3/8" - 1/2" THICK GLASS

FOR 3/4" GLASS

SCREW: 1-3/4"
SLEEVE: 3/4"

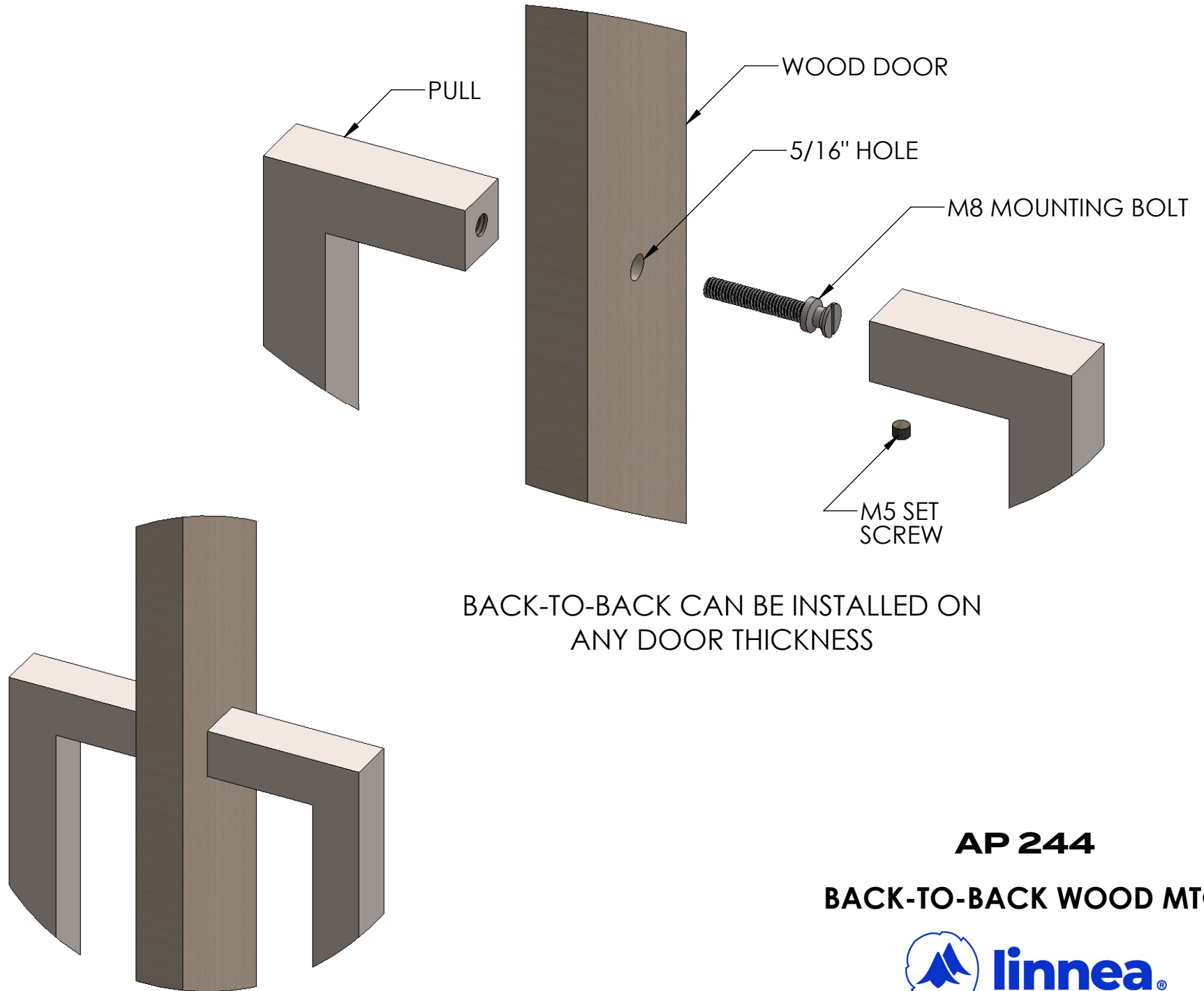
FOR 1" GLASS

SCREW: 2"
SLEEVE: 1"

AP 244
BACK-TO-BACK GLASS MTG.



800.219.2366 www.linnea-home.com

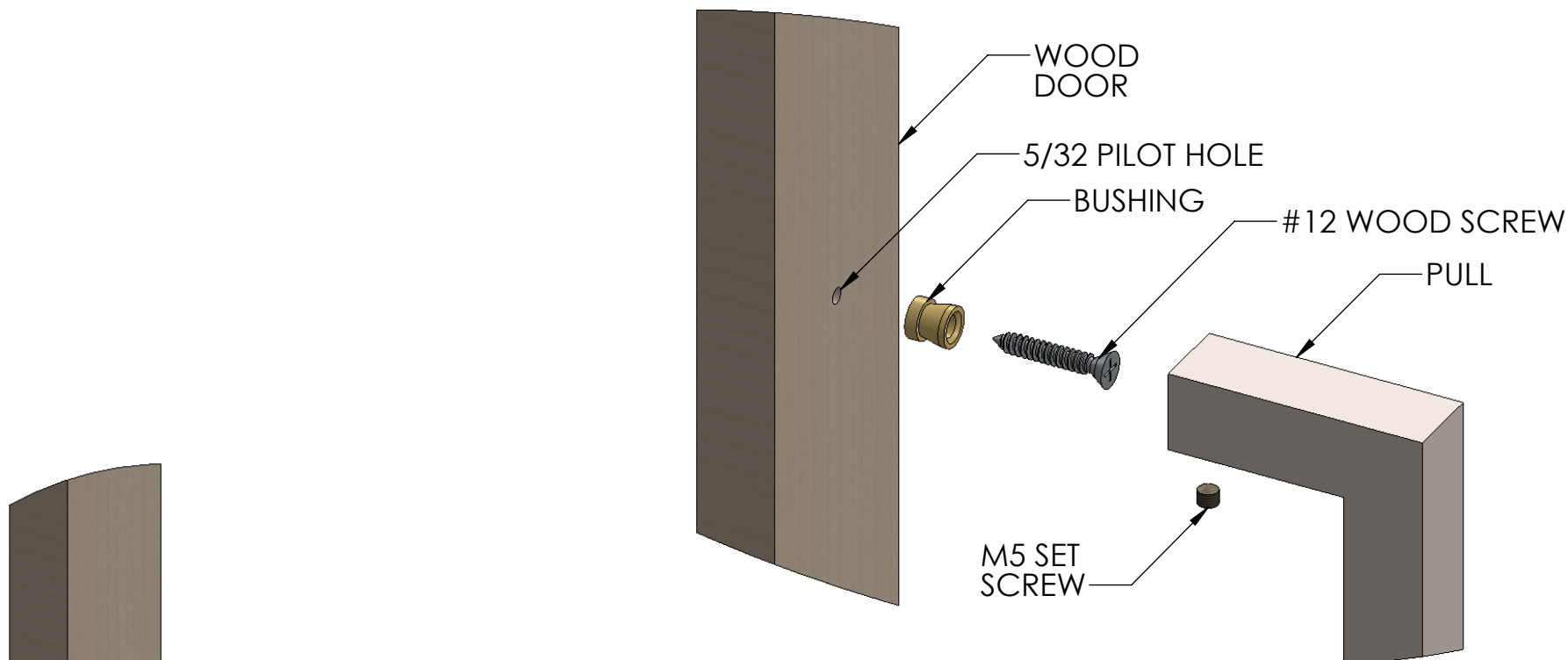


AP 244

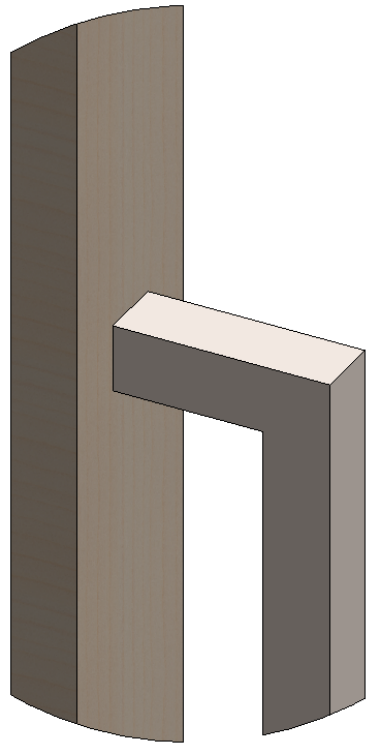
BACK-TO-BACK WOOD MTG.



800.219.2366 www.linnea-home.com

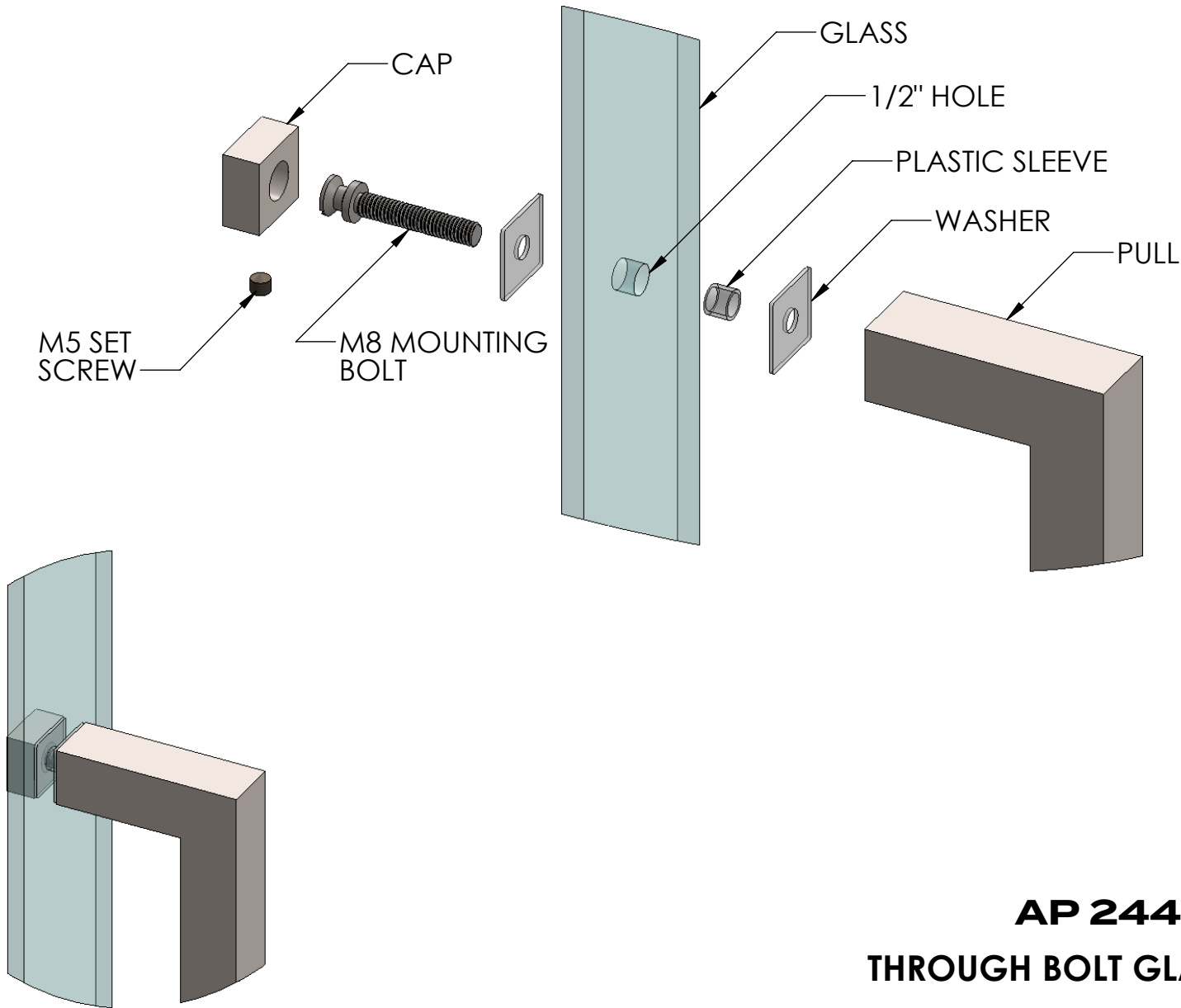


**MINIMUM REQUIRED DOOR
THICKNESS: 1-3/8"**



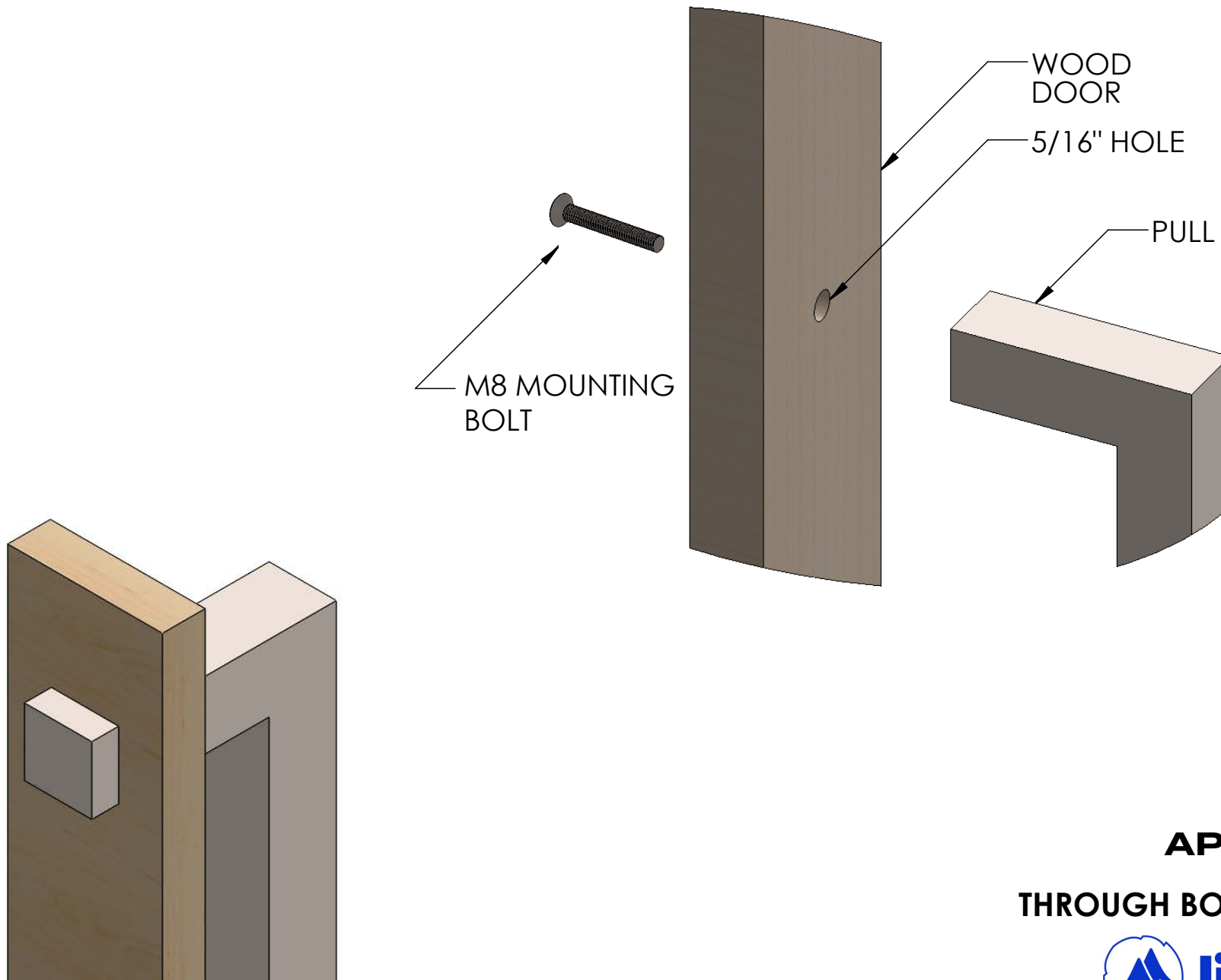
AP 244
SURFACE WOOD MTG.





AP 244
THROUGH BOLT GLASS MTG





AP 244
THROUGH BOLT WOOD MTG.

