

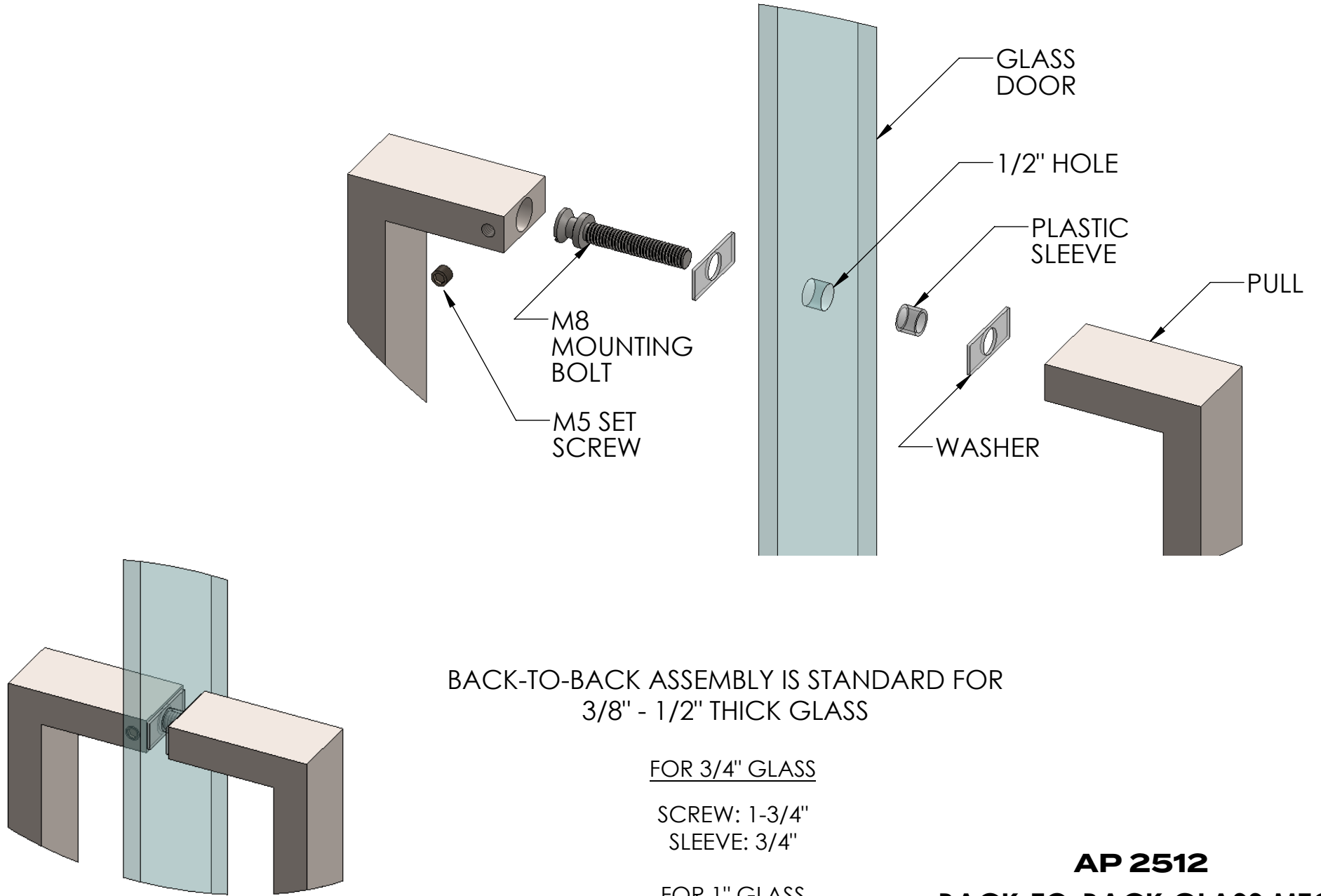
AP2512

# Appliance Pull Mounting Guide

Back to Back	2
Surface	4
Through Bolt	5

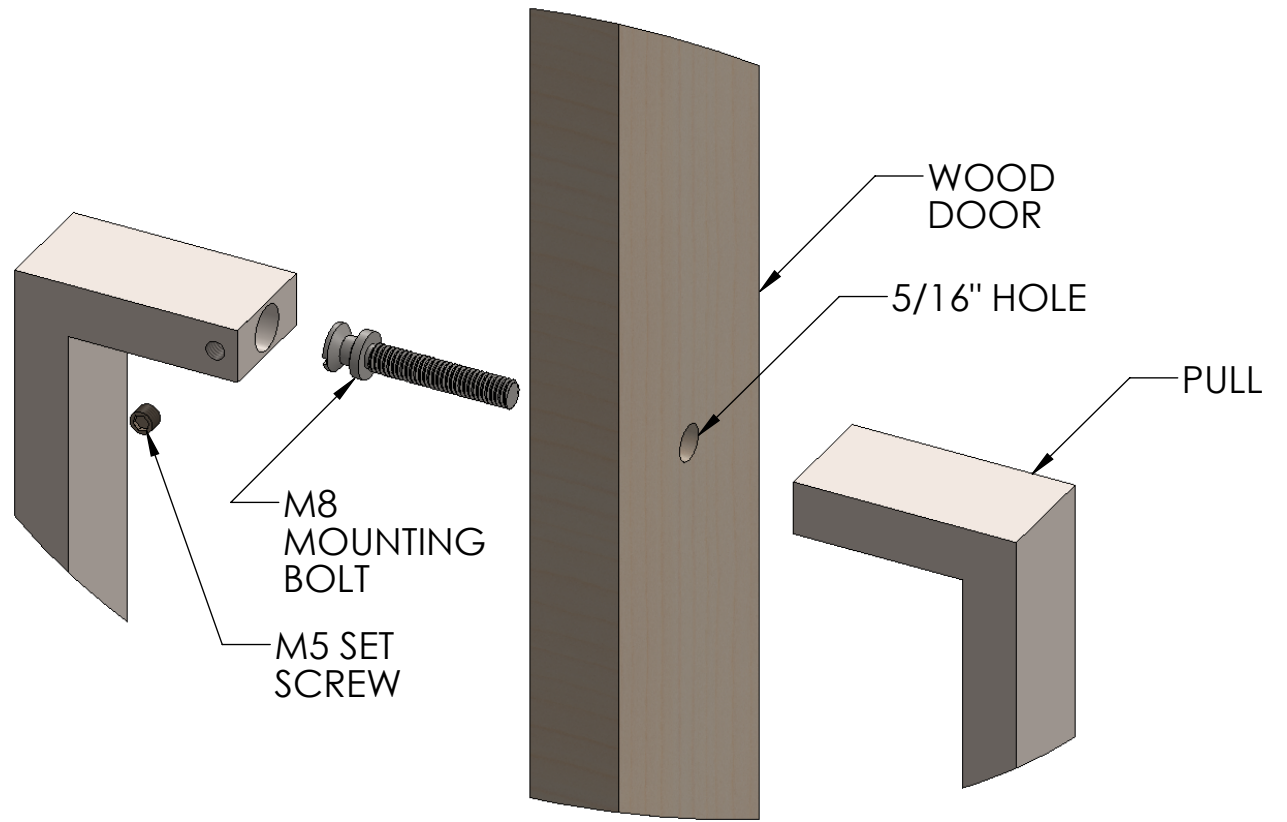


linnea.

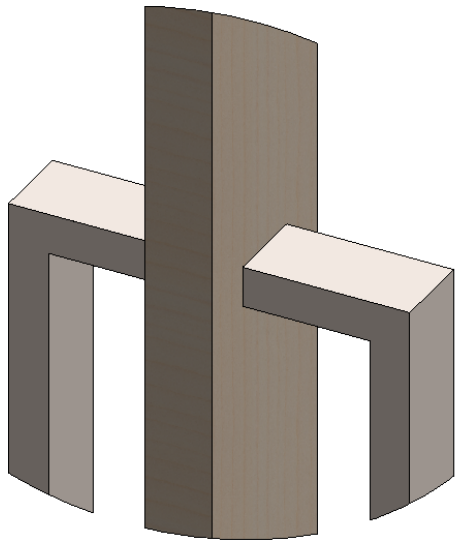


**AP 2512**  
**BACK-TO-BACK GLASS MTG.**



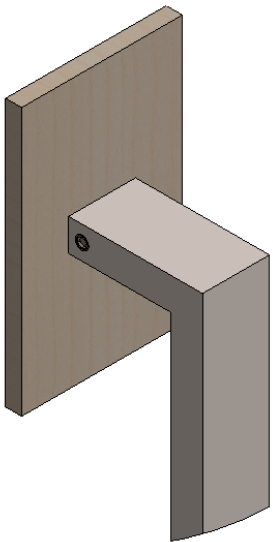
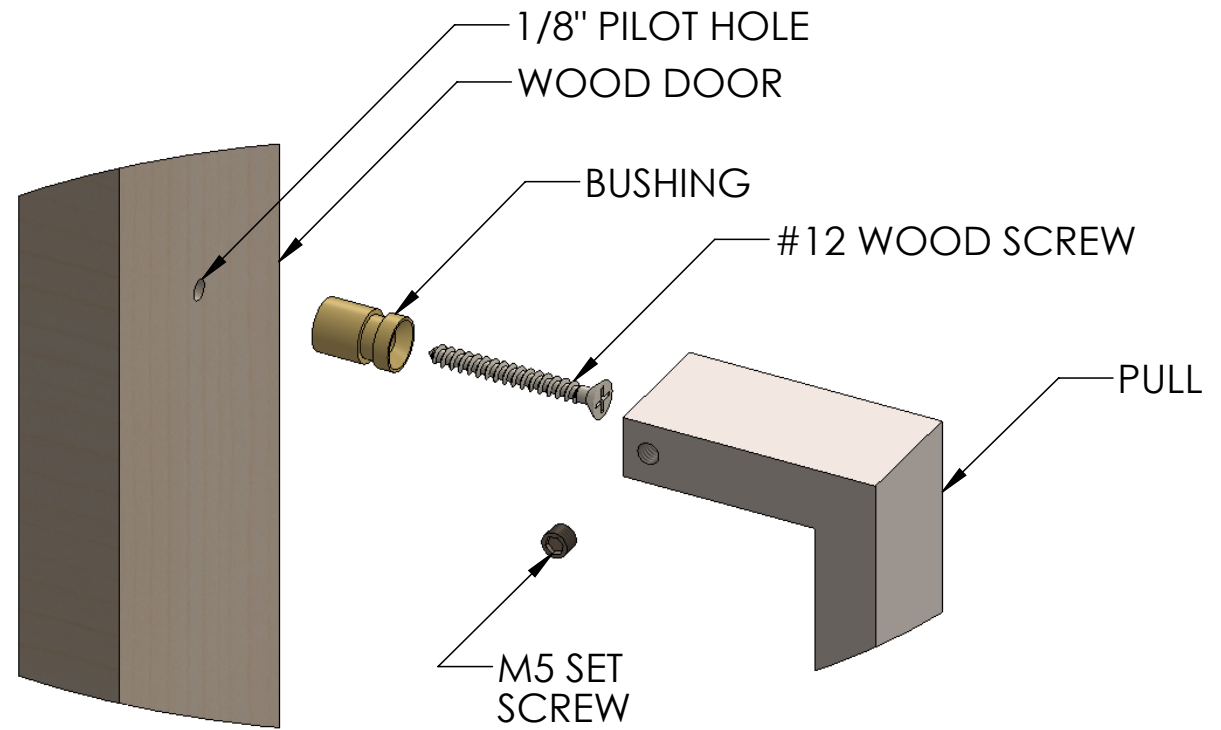


BACK-TO-BACK CAN BE INSTALLED  
ON ANY DOOR THICKNESS



**AP 2512**  
**BACK-TO-BACK WOOD MTG.**

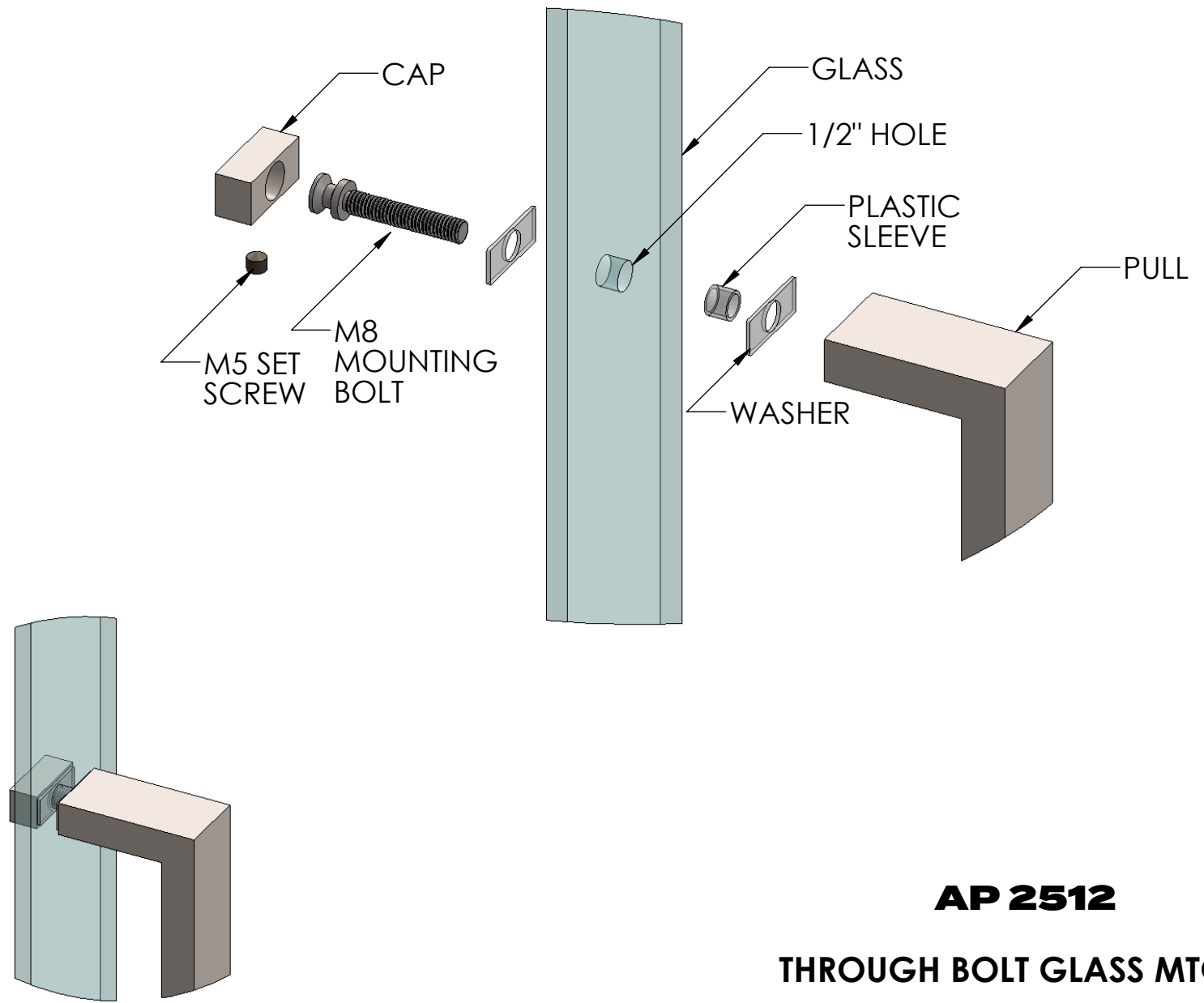




**MINIMUM REQUIRED DOOR  
THICKNESS: 1-3/8"**

**AP 2512  
SURFACE WOOD MTG.**





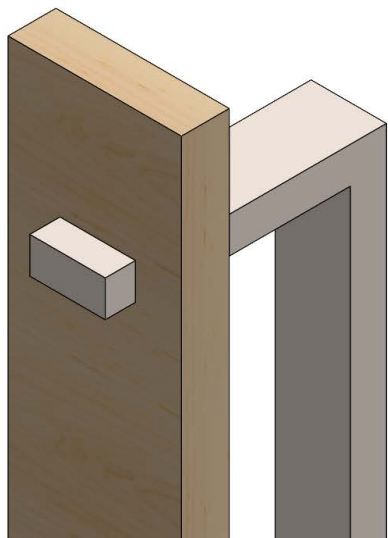
**AP 2512**

**THROUGH BOLT GLASS MTG.**

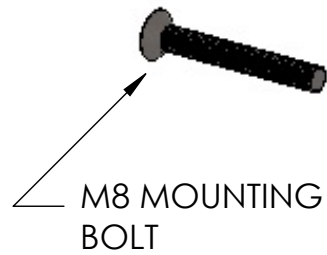


800.219.2366

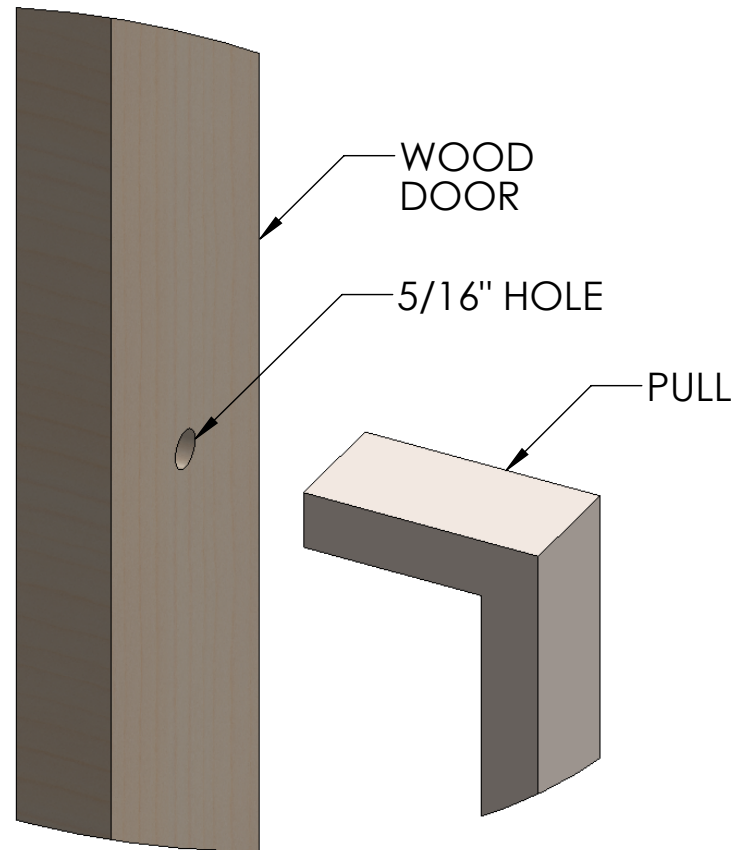
[www.linnea-home.com](http://www.linnea-home.com)



OPTIONAL CAP



M8 MOUNTING BOLT



**AP 2512**

**THROUGH BOLT WOOD MTG.**



800.219.2366

[www.linnea-home.com](http://www.linnea-home.com)