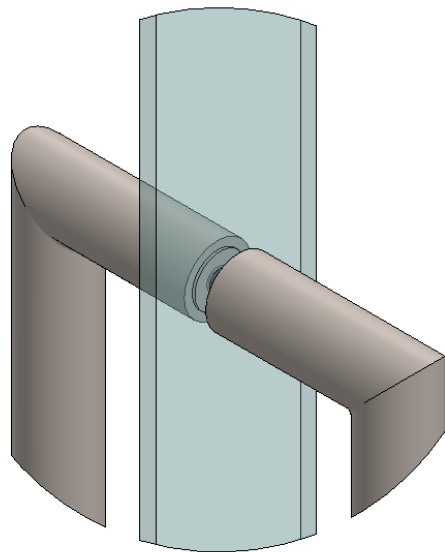
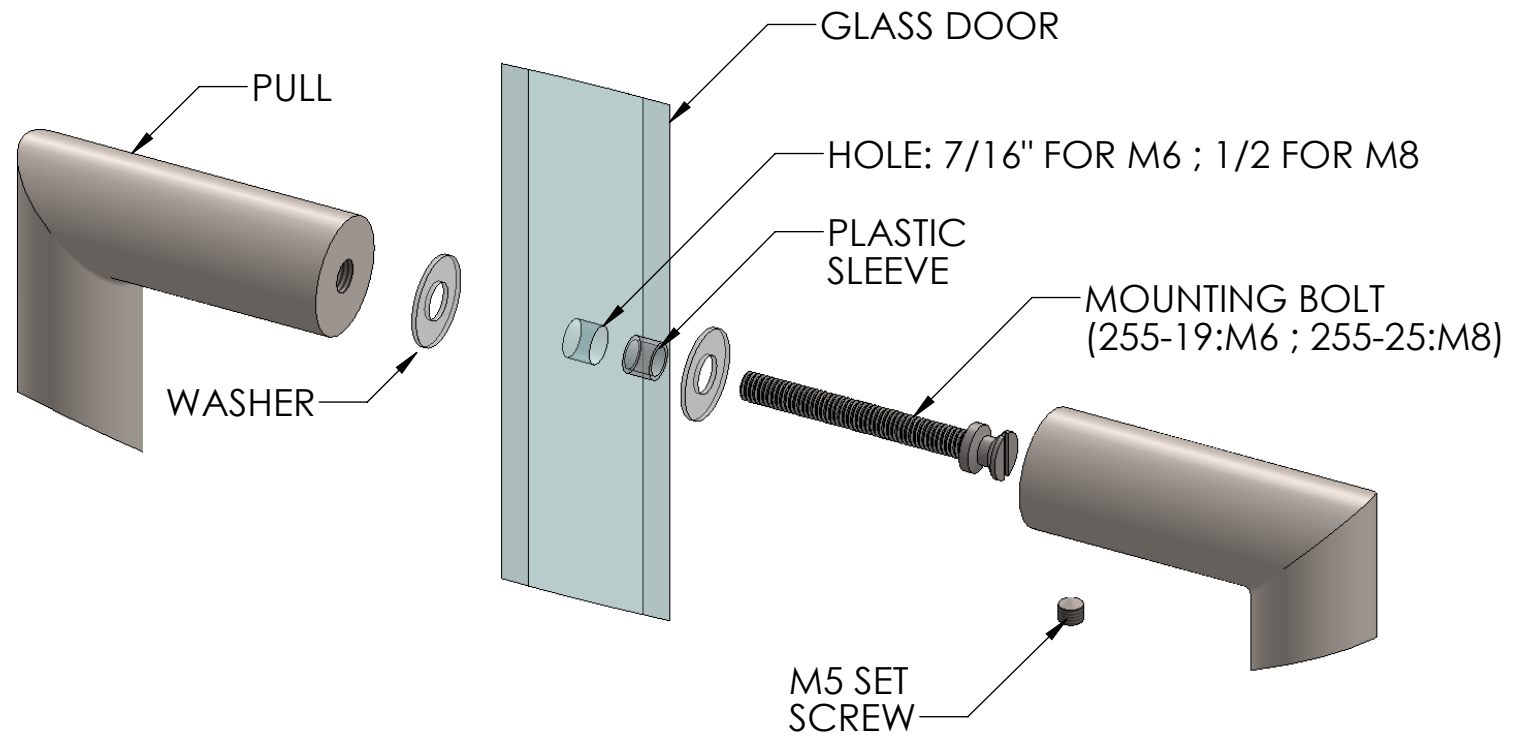


AP255

Appliance Pull Mounting Guide

Back to Back	2
Surface	4
Through Bolt	5





BACK-TO-BACK ASSEMBLY IS STANDARD FOR
3/8" - 1/2" THICK GLASS

FOR 3/4" GLASS

SCREW: 1-3/4"
SLEEVE: 3/4"

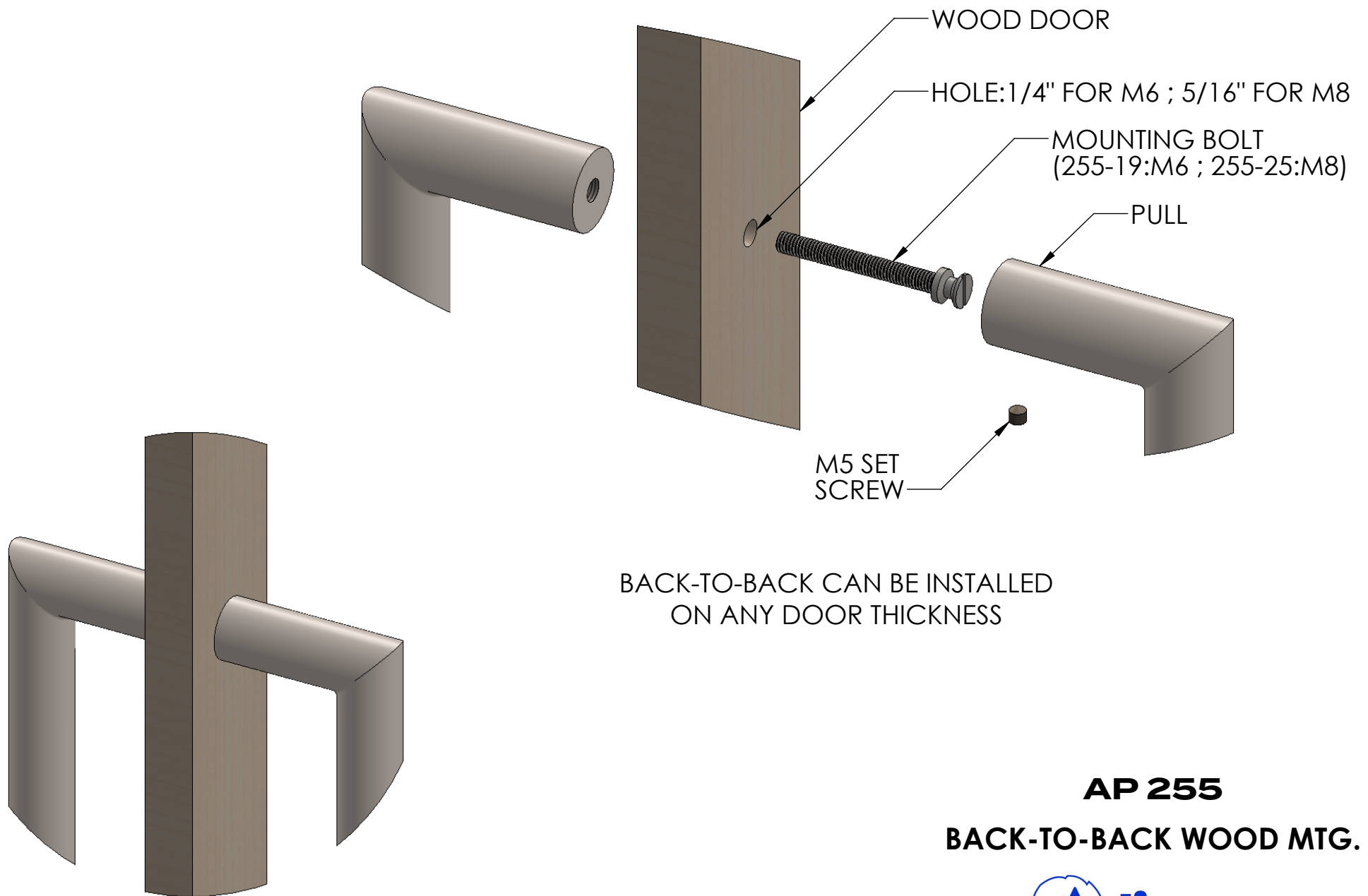
FOR 1" GLASS

SCREW: 2"
SLEEVE: 1"

AP255

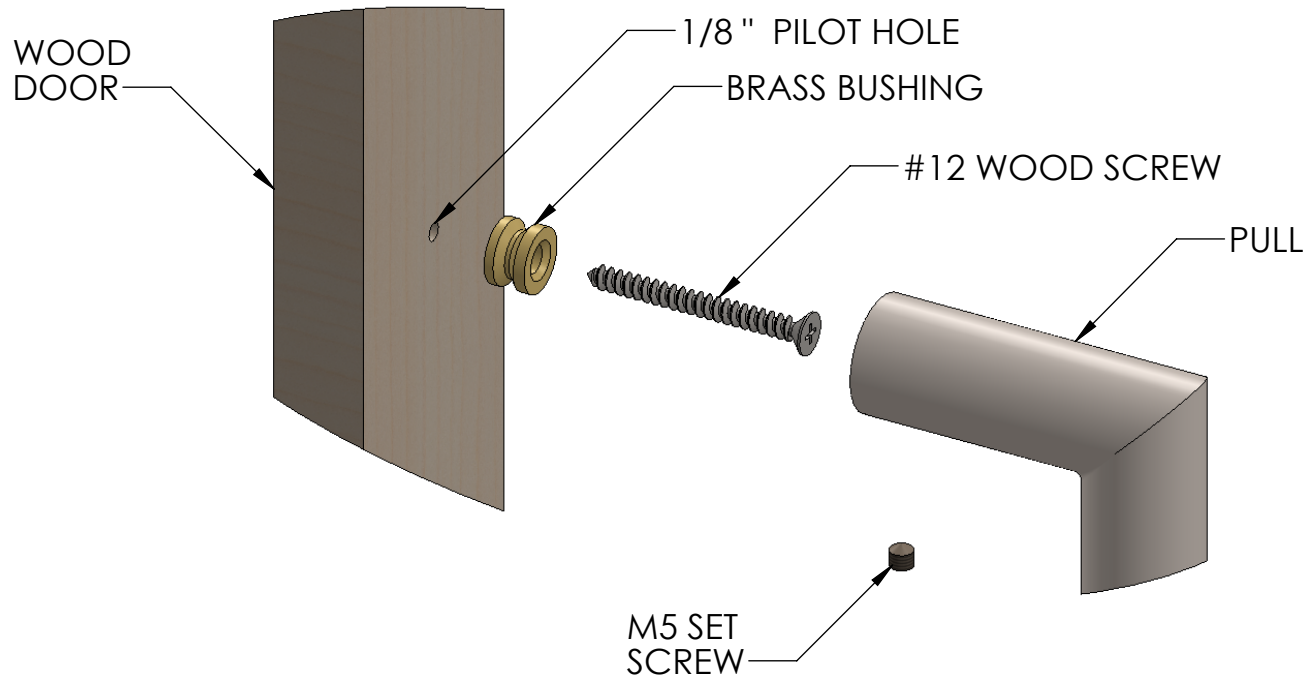
BACK-TO-BACK GLASS MTG.



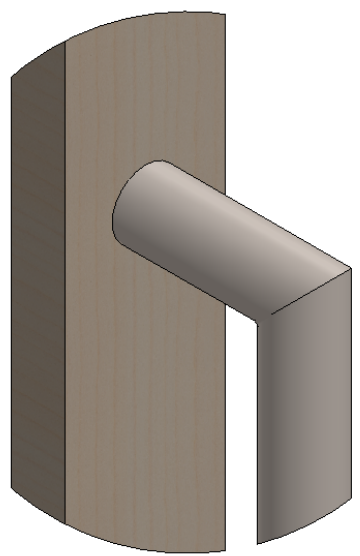


AP 255
BACK-TO-BACK WOOD MTG.



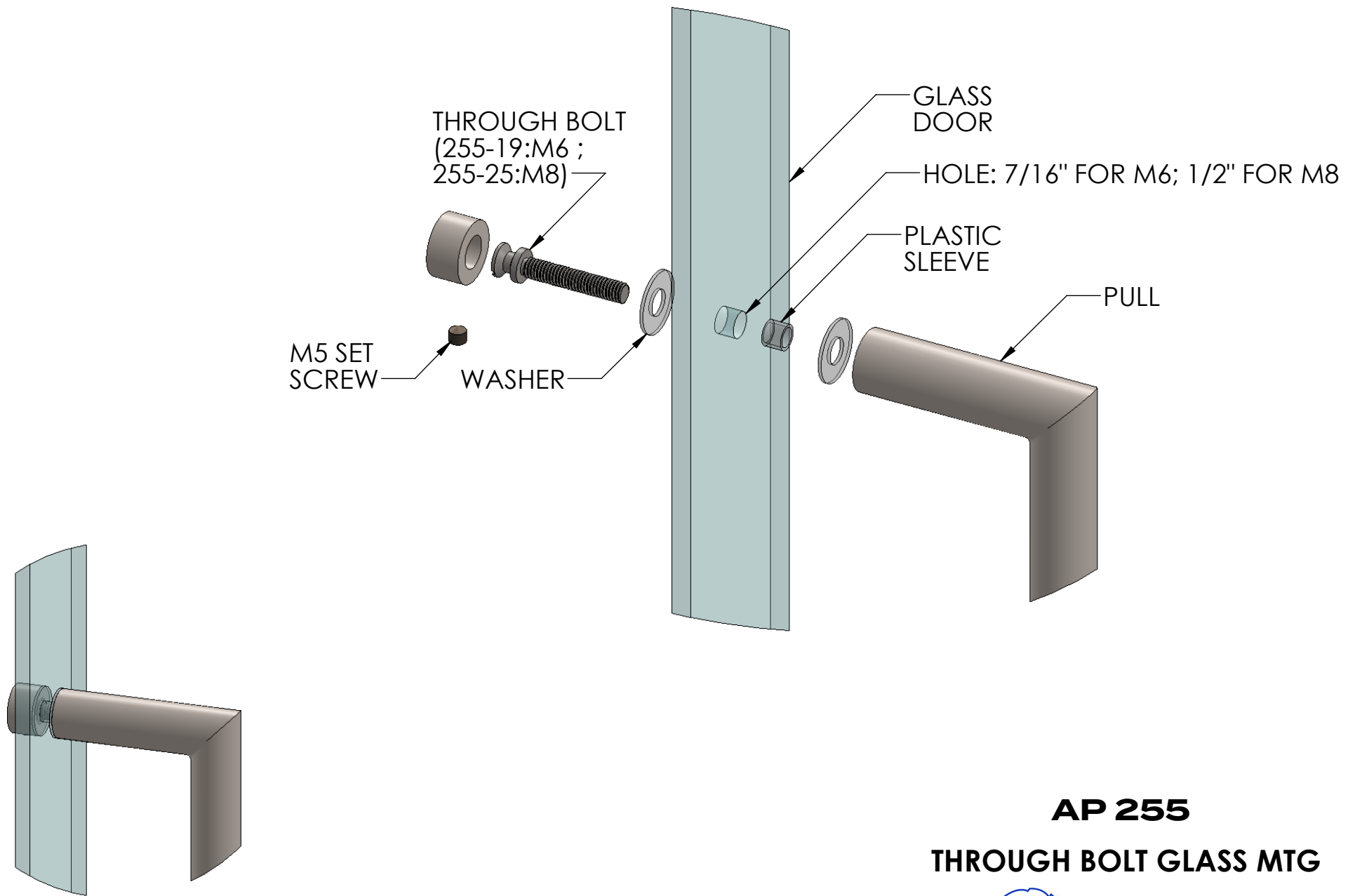


**MINIMUM REQUIRED DOOR
THICKNESS: 1-3/8"**



AP 255
SURFACE WOOD MTG.

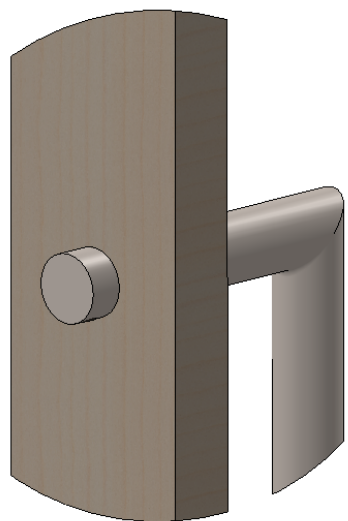




AP 255

THROUGH BOLT GLASS MTG

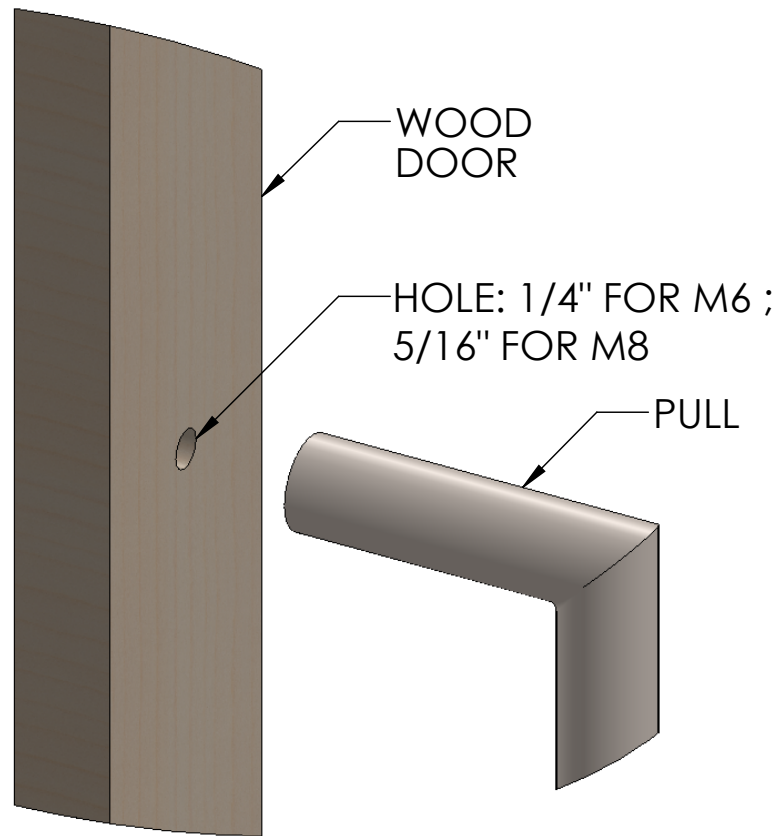




(OPTIONAL CAP)



MOUNTING BOLT
(255-19:M6 ;
255-25:M8)



WOOD DOOR

HOLE: 1/4" FOR M6 ;
5/16" FOR M8

PULL

AP 255
THROUGH BOLT WOOD MTG

