

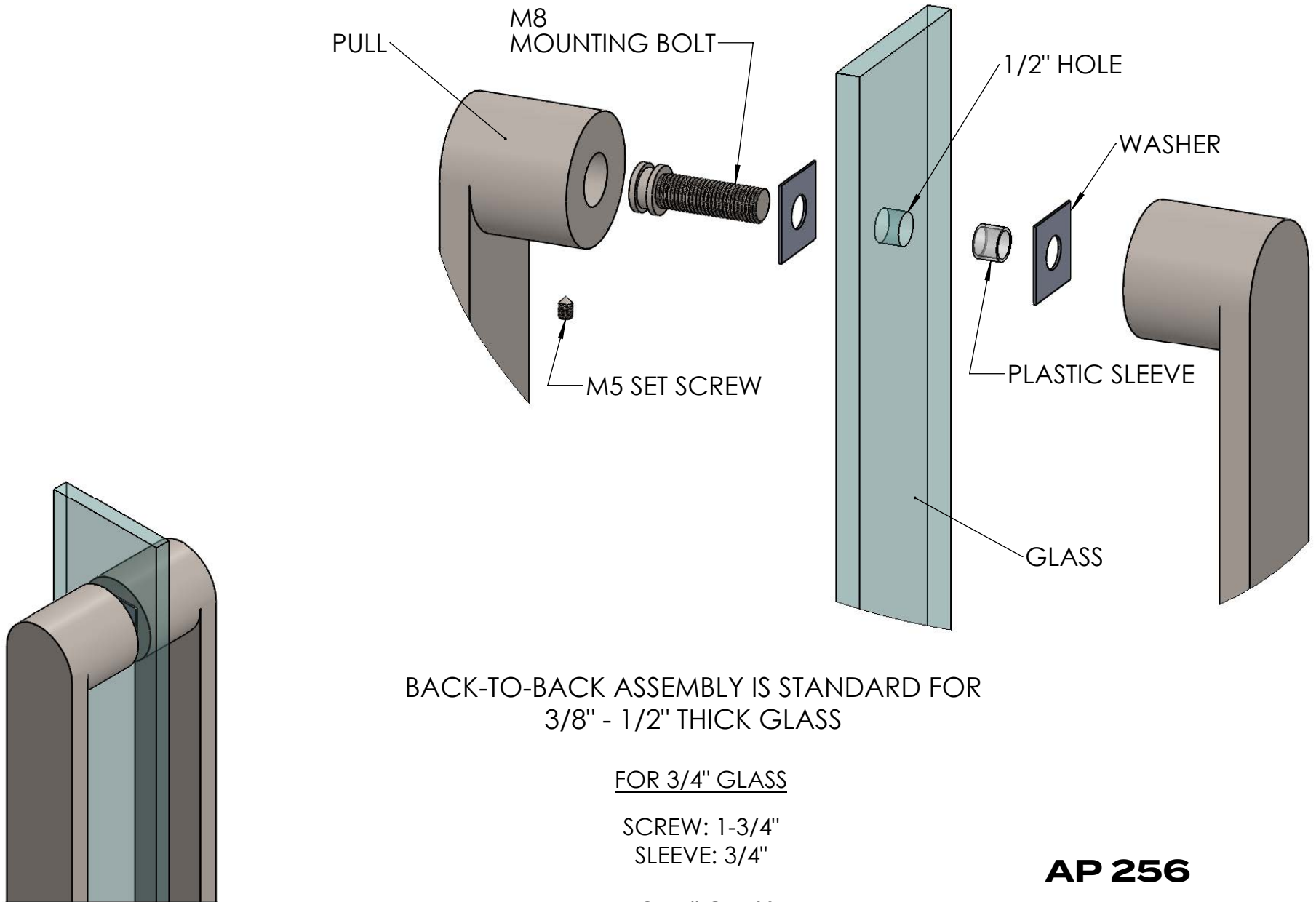
AP256

Appliance Pull Mounting Guide

| | |
|--------------|---|
| Back to Back | 2 |
| Surface | 4 |
| Through Bolt | 5 |



linnea.



BACK-TO-BACK ASSEMBLY IS STANDARD FOR
3/8" - 1/2" THICK GLASS

FOR 3/4" GLASS

SCREW: 1-3/4"
SLEEVE: 3/4"

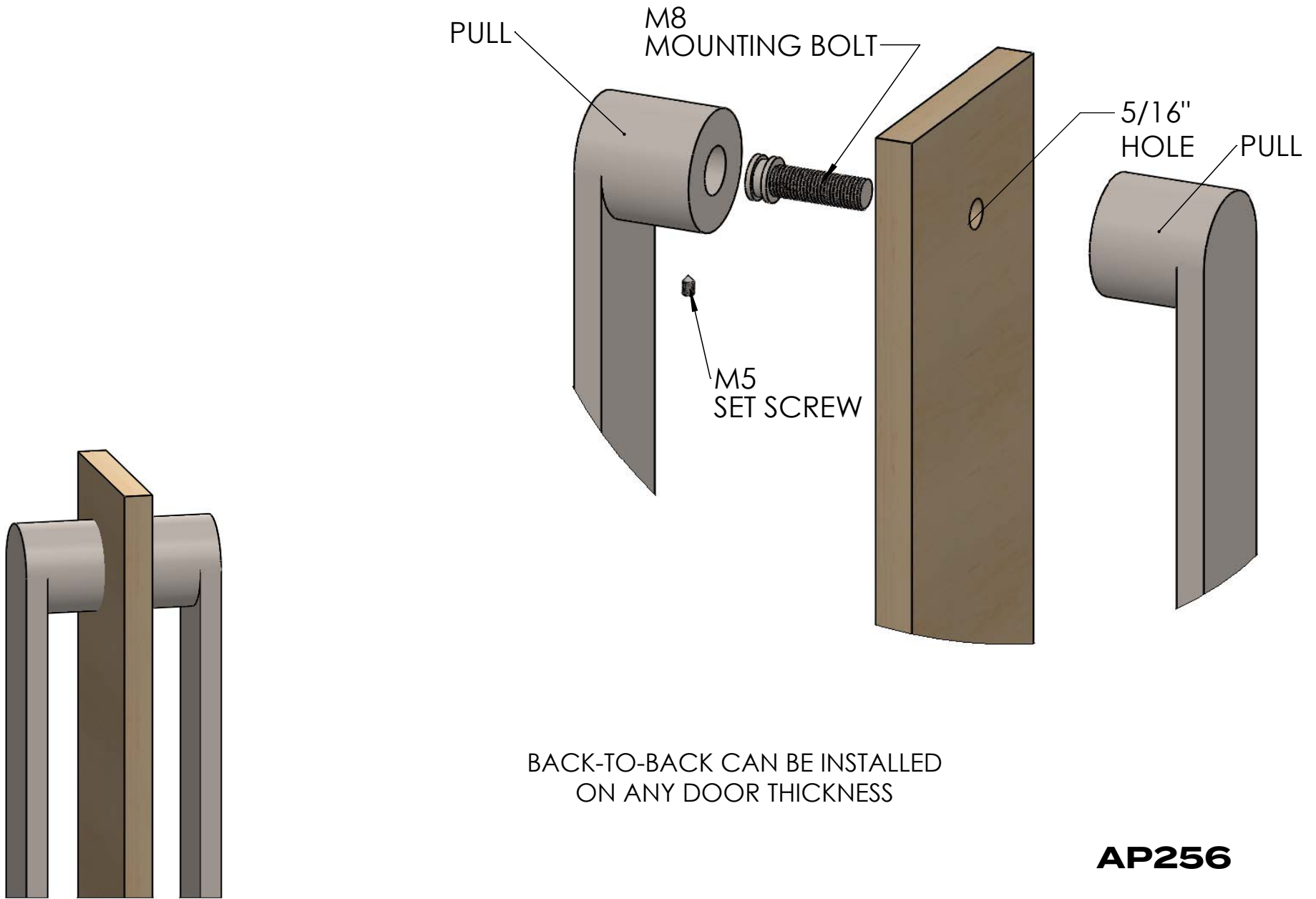
FOR 1" GLASS

SCREW: 2"
SLEEVE: 1"

AP 256

BACK-TO-BACK GLASS MTG.



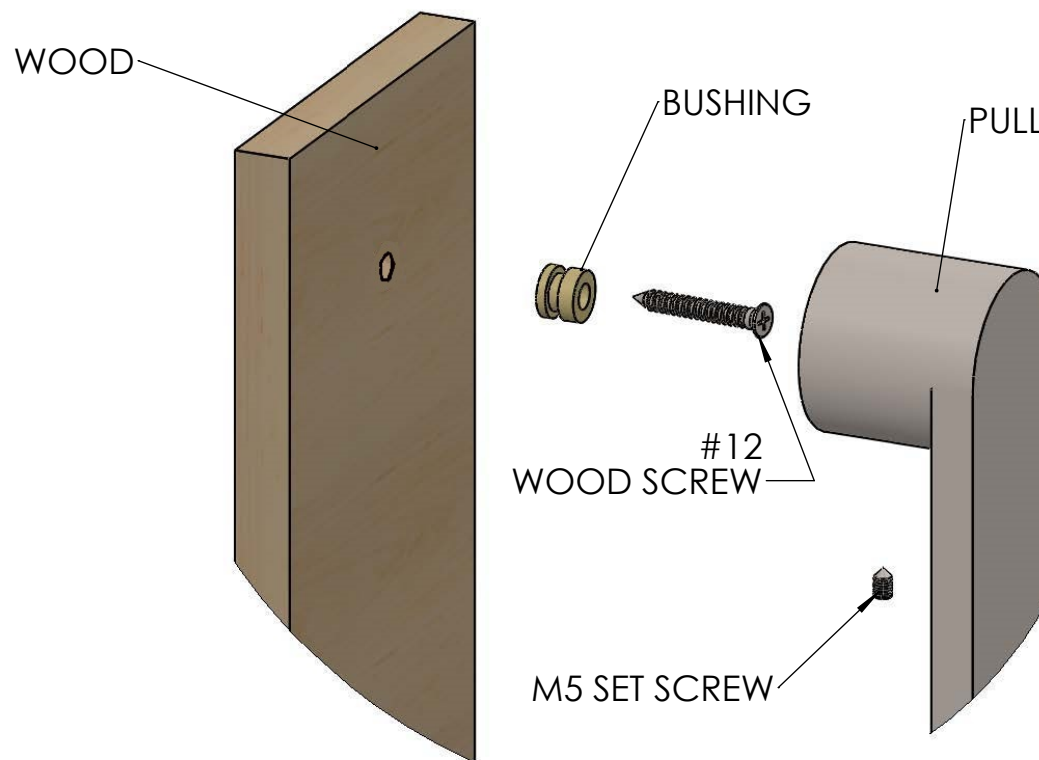
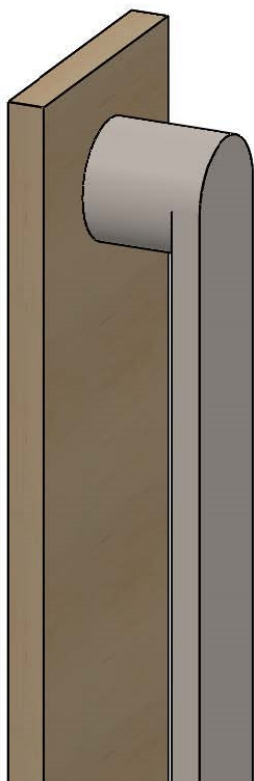


AP256

BACK-TO-BACK WOOD MTG.



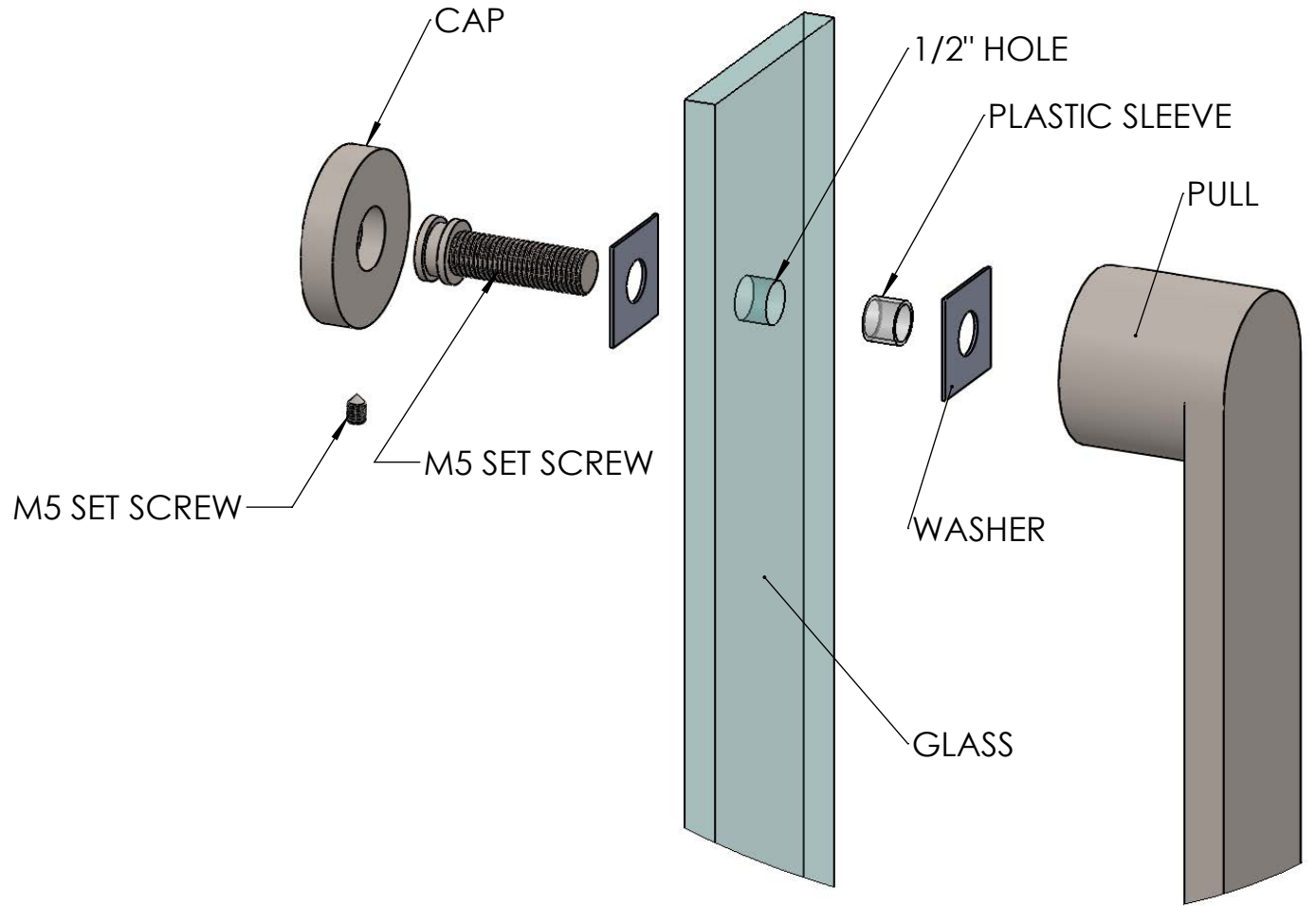
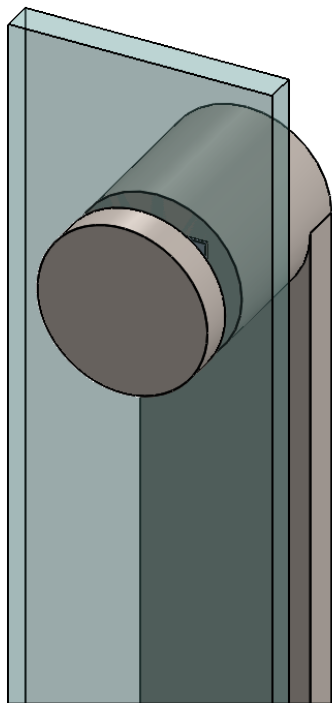
800.219.2366 www.linnea-home.com



**MINIMUM REQUIRED DOOR
THICKNESS: 1-3/8"**

**AP 256
SURFACE WOOD MTG.**





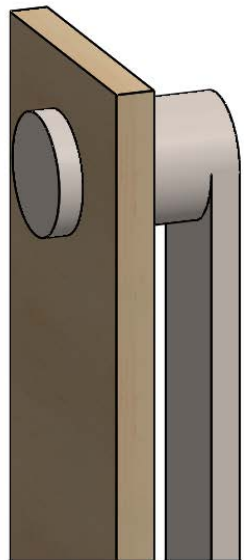
AP 256

THROUGH BOLT GLASS MTG.

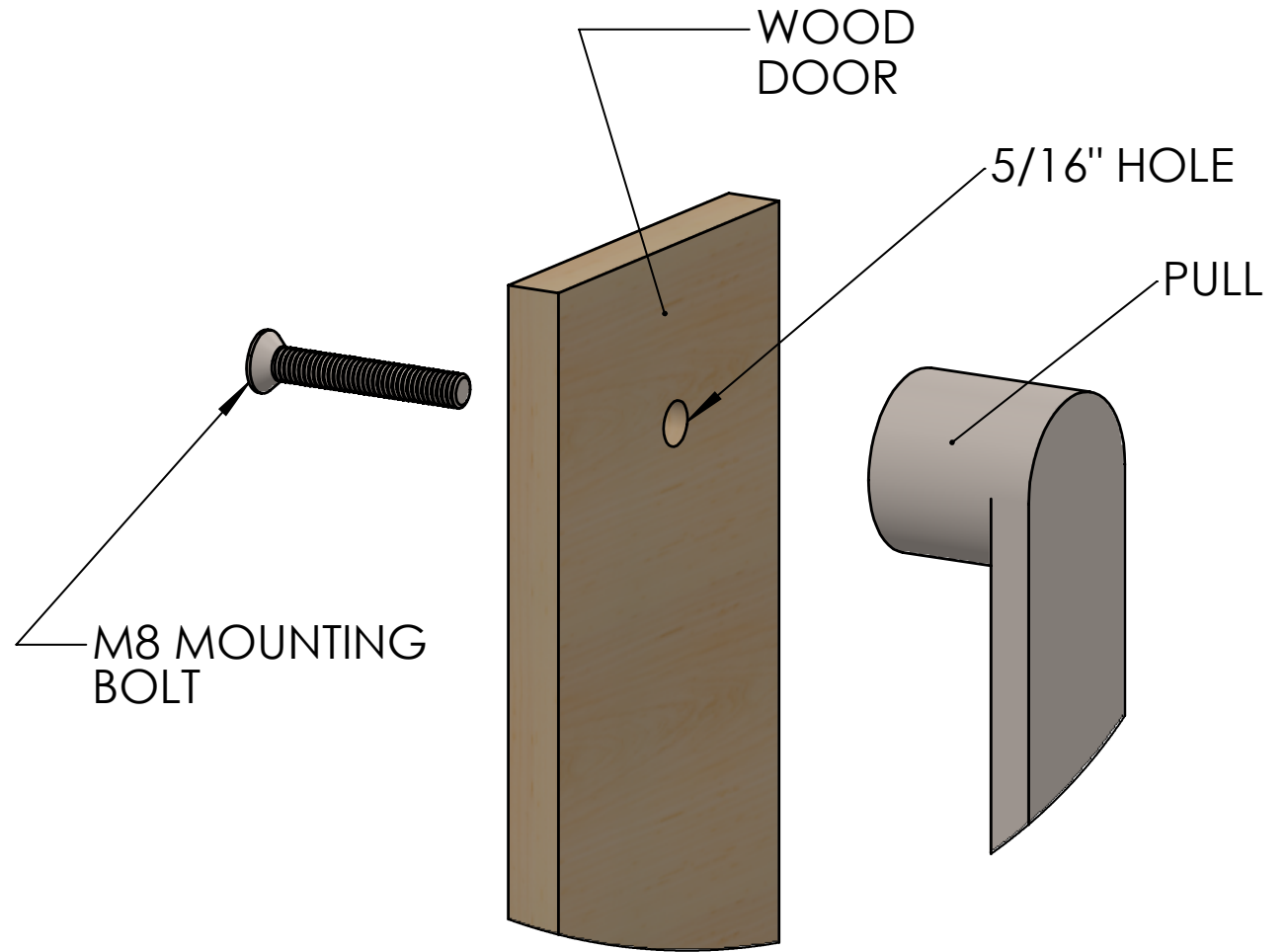


800.219.2366

www.linnea-home.com



OPTIONAL CAP



AP 256

THROUGH BOLT WOOD MTG.



800.219.2366

www.linnea-home.com