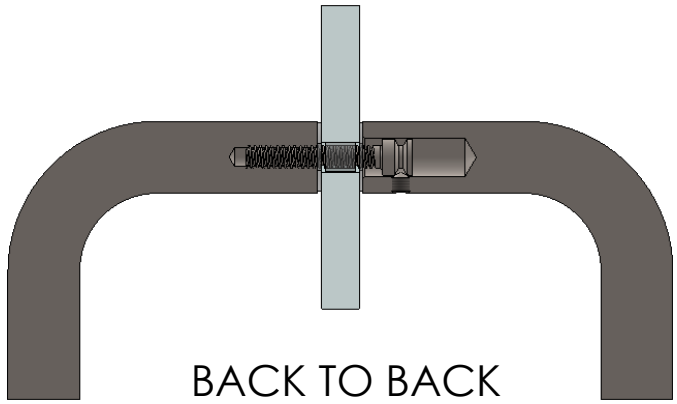
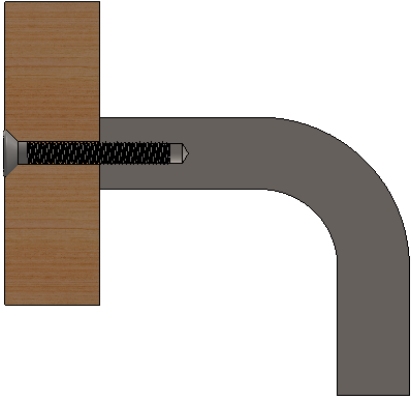


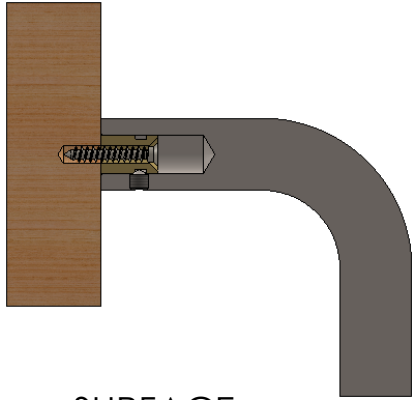
THROUGH BOLT
(FOR GLASS, METAL, OR WOOD DOORS)



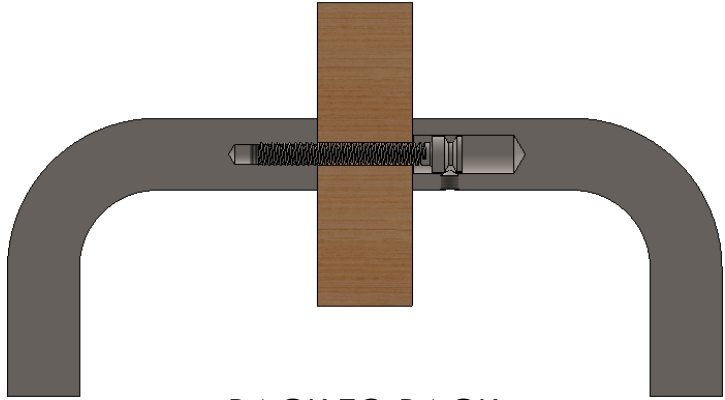
BACK TO BACK
(FOR GLASS DOORS)



THROUGH BOLT
(WOOD)

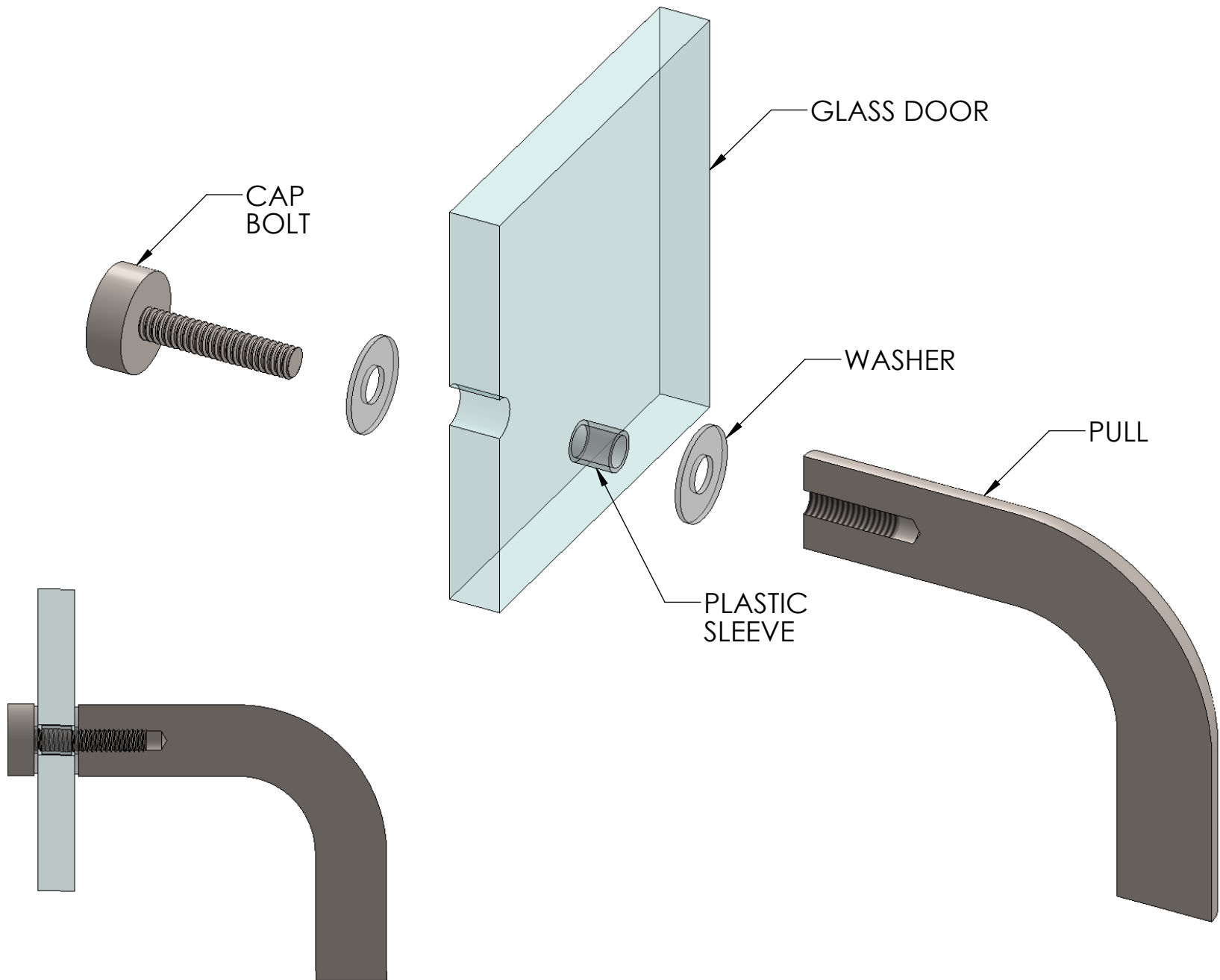


SURFACE
(FOR WOOD OR METAL DOORS)



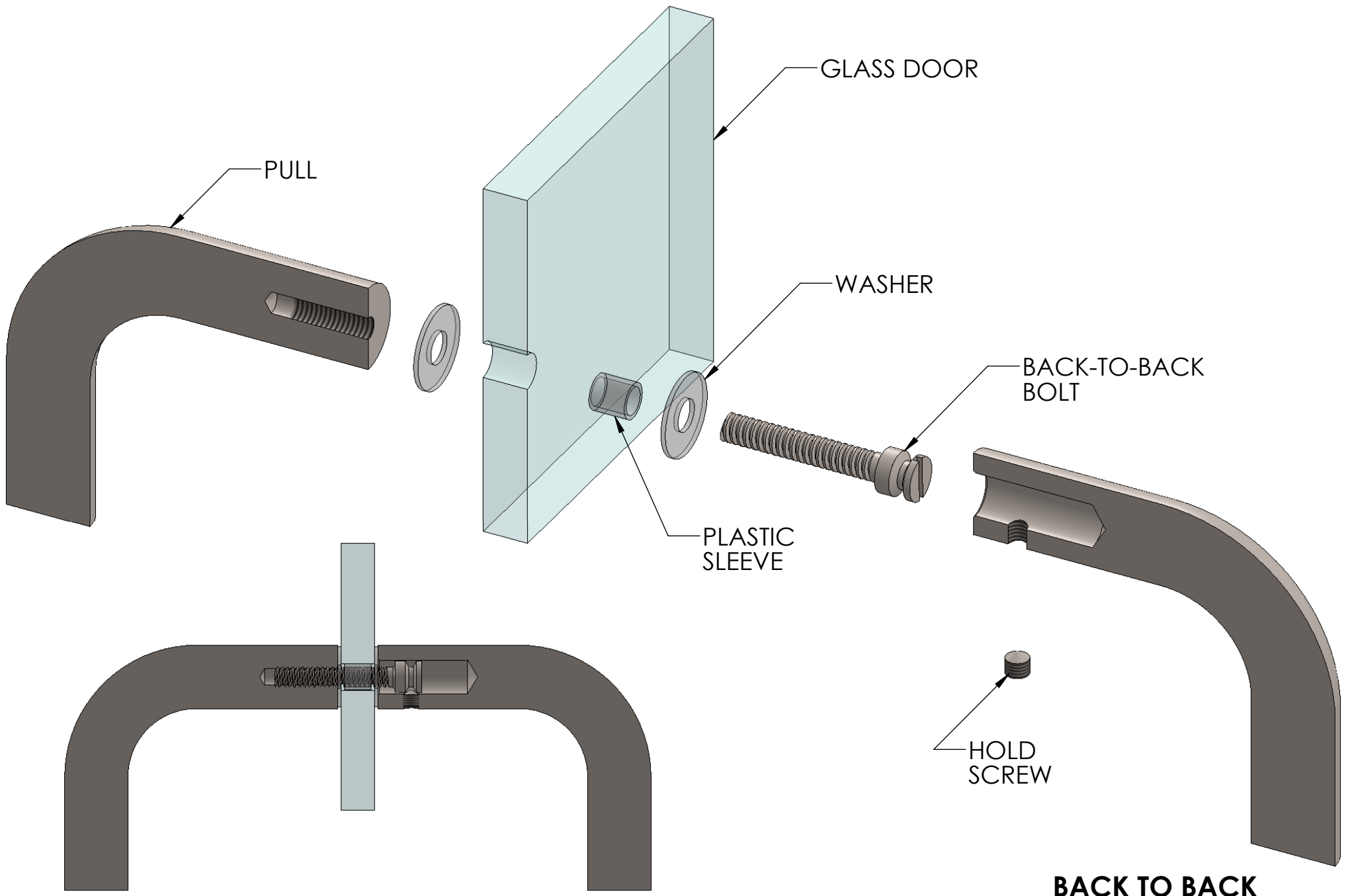
BACK TO BACK
(FOR WOOD OR METAL DOORS)





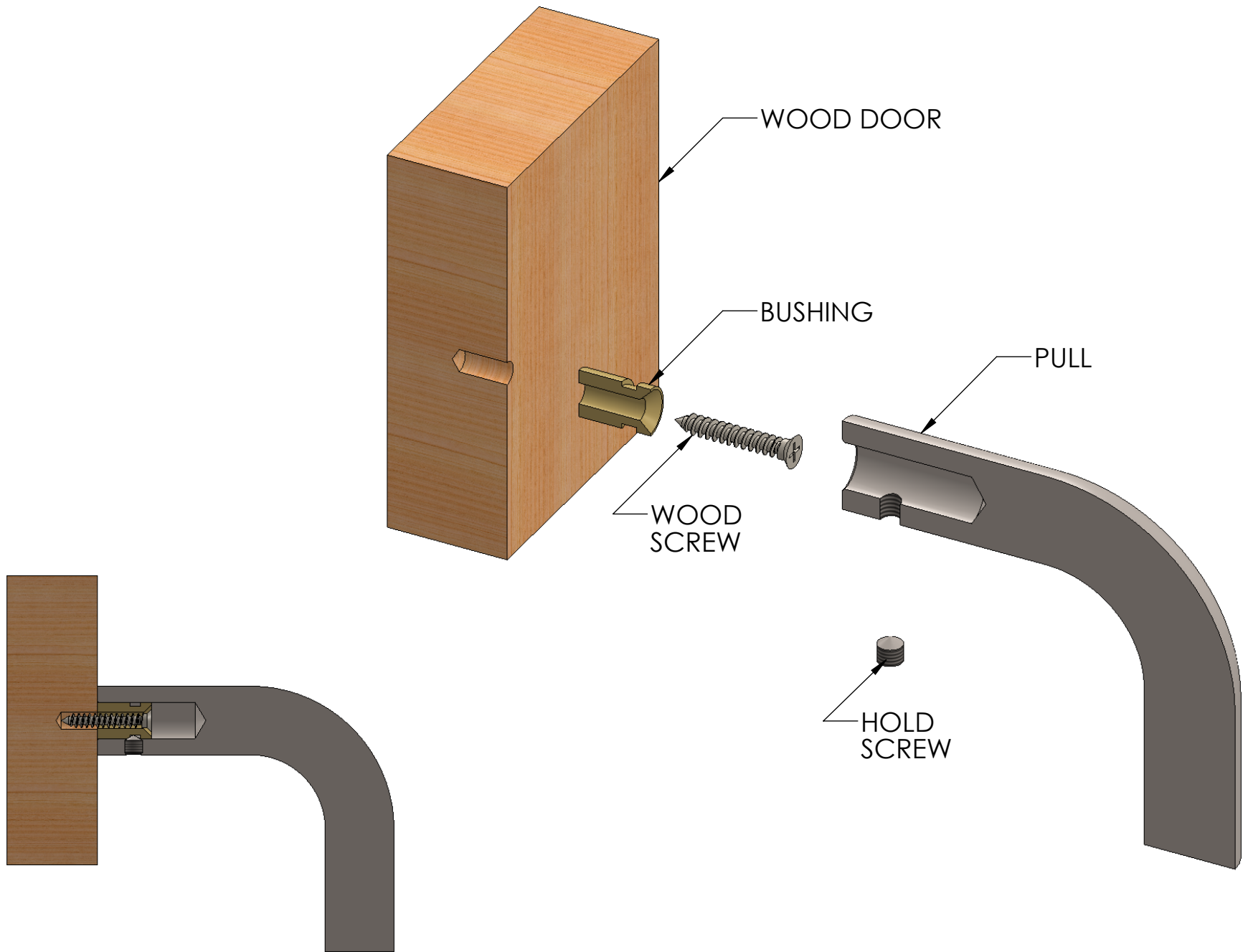
**THROUGH BOLT
(GLASS, METAL, OR WOOD)**





**BACK TO BACK
(FOR GLASS DOORS)**



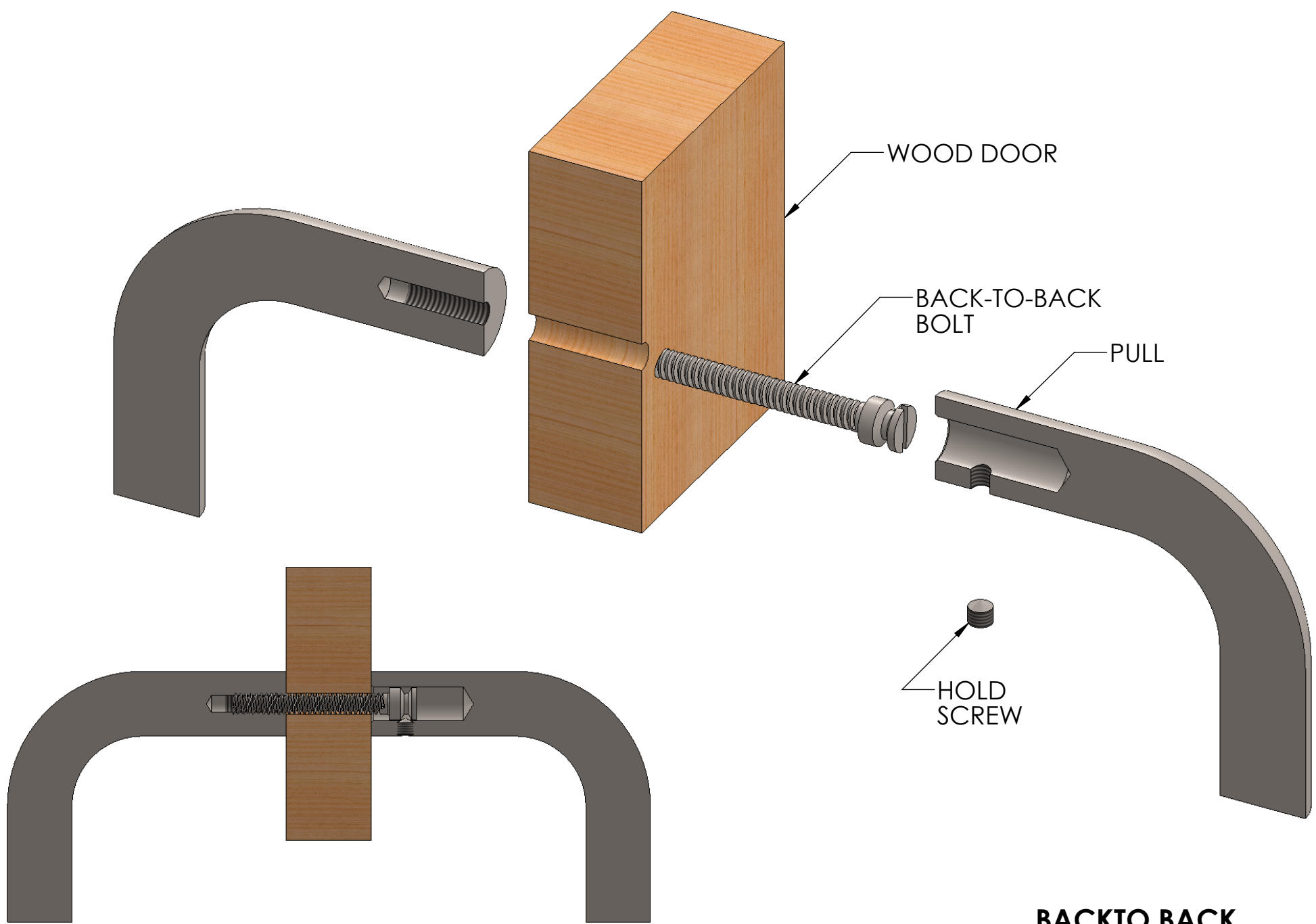


**SURFACE
(FOR WOOD AND METAL DOORS)**



800.219.2366

www.linnea-home.com



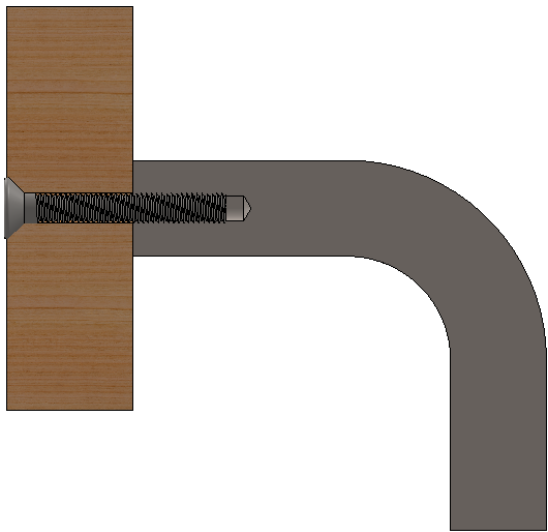
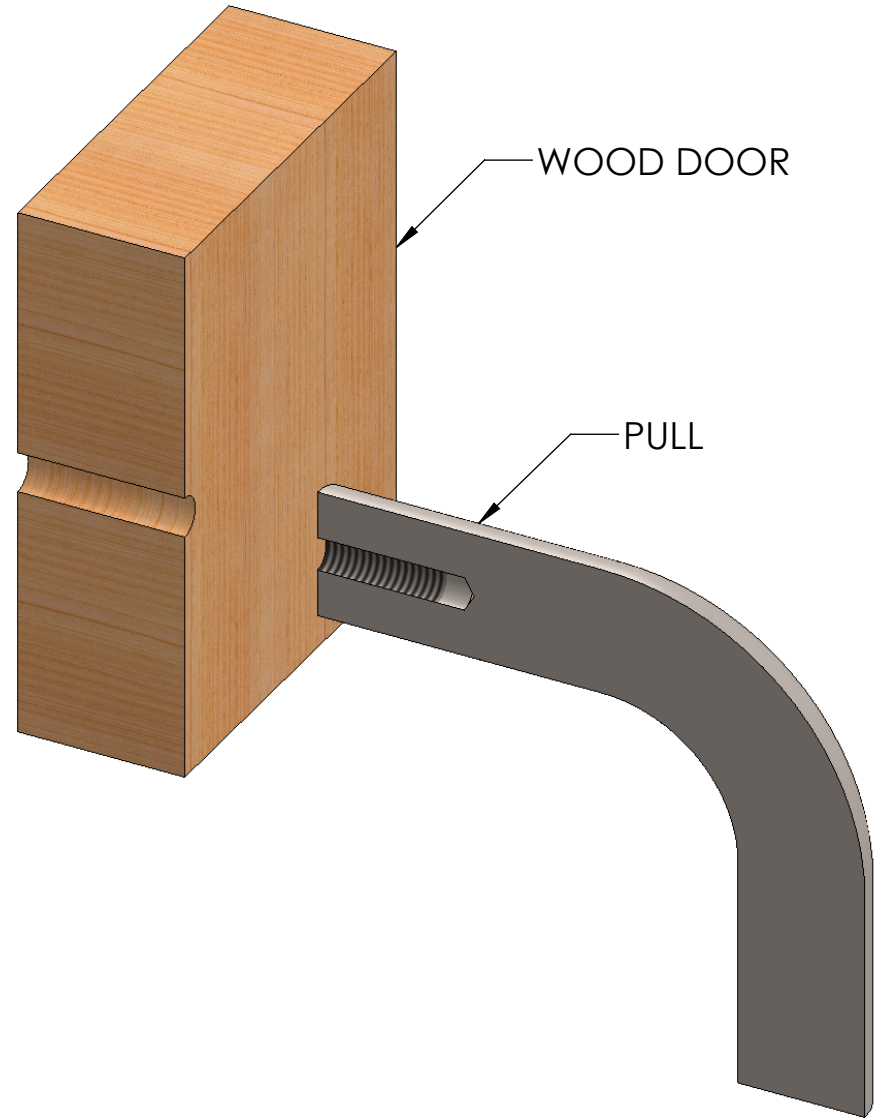
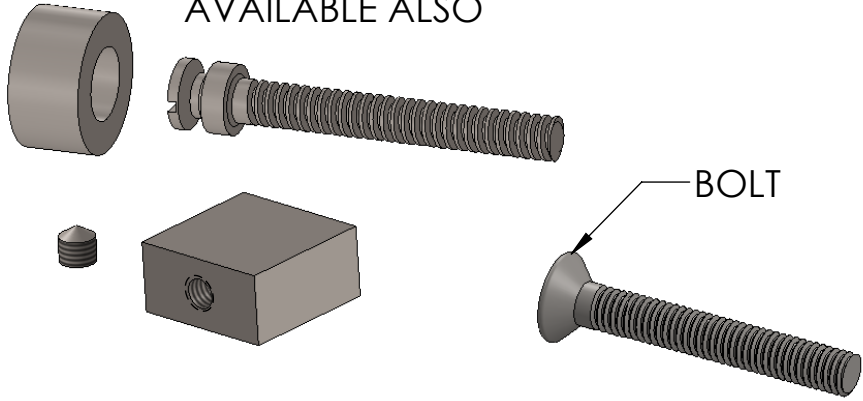
**BACKTO BACK
(FOR WOOD & METAL DOORS)**



800.219.2366

www.linnea-home.com

CAPPED SCREW OPTION
AVAILABLE ALSO



**THROUGH BOLT
(WOOD)**

