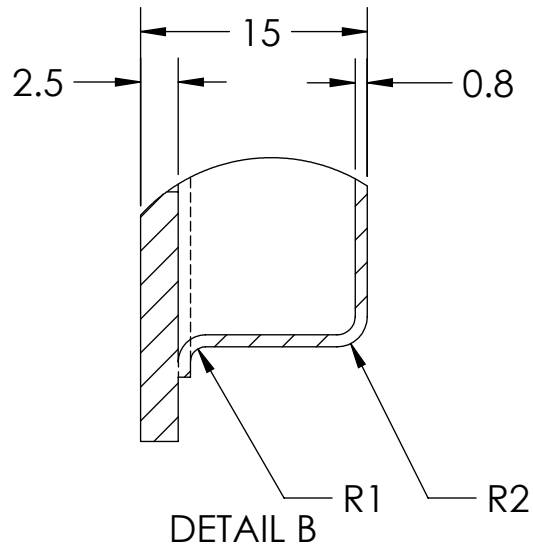
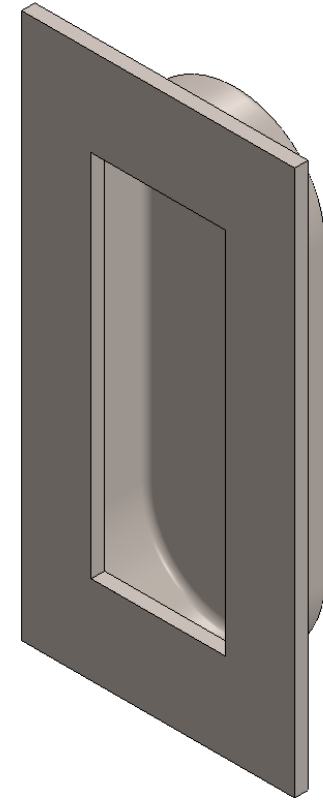


SECTION A-A



DETAIL B

RPS-102

