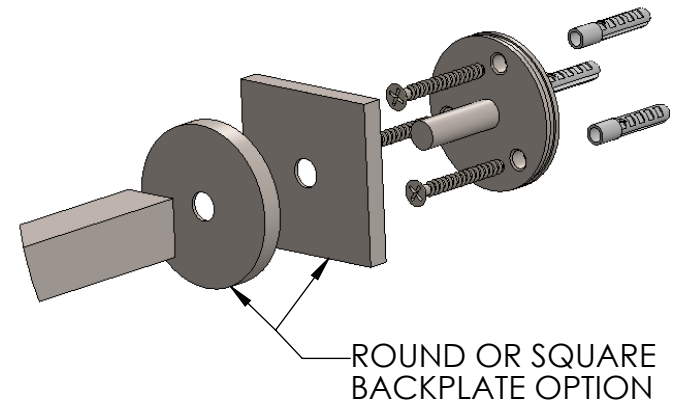


DRYWALL INSTALLATION KIT (OPTIONAL)



TR-610

