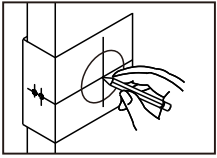
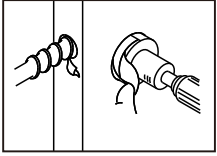


Mark Door with Template

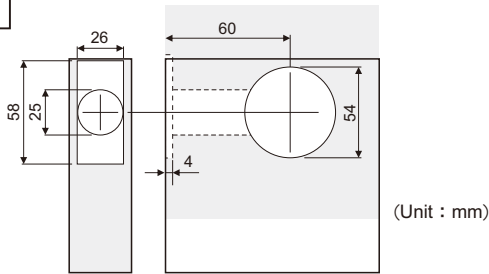


Fold the paper guide and place it on the corner of the door 914mm from the floor (from floor to center of drilling point indicated by pencil in illustration). Make markings on the face and side of the door with the holes on the paper guide.

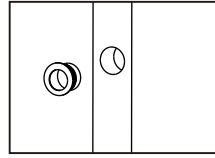
Drill Holes



Drill the 54 mm diameter lock body hole on the face of the door and the 25 mm diameter latch bolt hole on the side of the door as indicated by the markings.



Install the Sliding Door Finger Pull



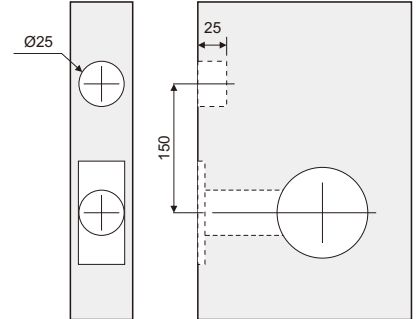
Install the finger pull on the side of the door. Drill a hole 25 mm in diameter and in depth 150 mm above the center of the lock, and then press the finger pull into the hole. (Optionally use construction adhesive to further secure the installation.)



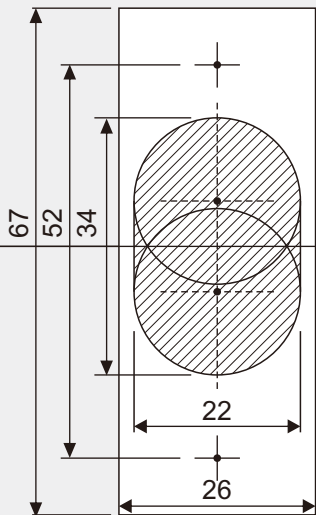
Round finger pull (optional)



Square finger pull (optional)



STRIKE TEMPLATE



TEMPLATE

Fold on dotted line and fit on door edge

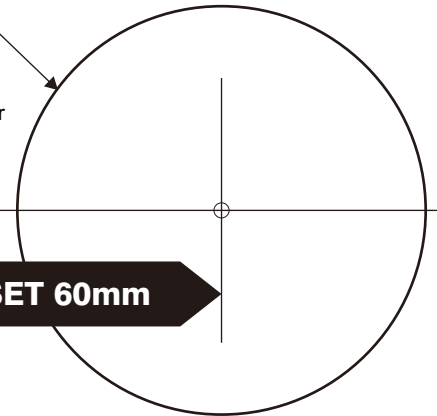
55 45 40 35 31

Make 25.4mm hole at center of door edge. center points for total door width indicated above.

Ø54mm

Caution: Drill from both faces of the door to prevent door cracking.

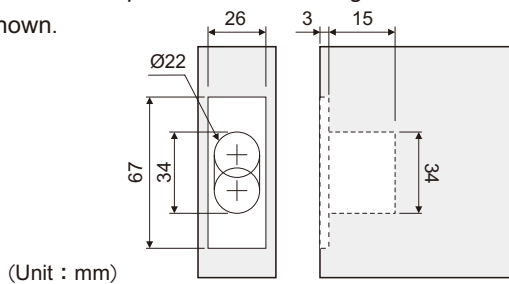
FOR BACKSET 60mm



Install Strike

On the door frame, align the center of the strike with the center of the latch bolt faceplate and trace its edges.

Drill holes as shown.



Chisel a 3 mm-deep indentation within the traces of the strike. Place the strike flush with the door frame and secure it with screws.

