

Lever

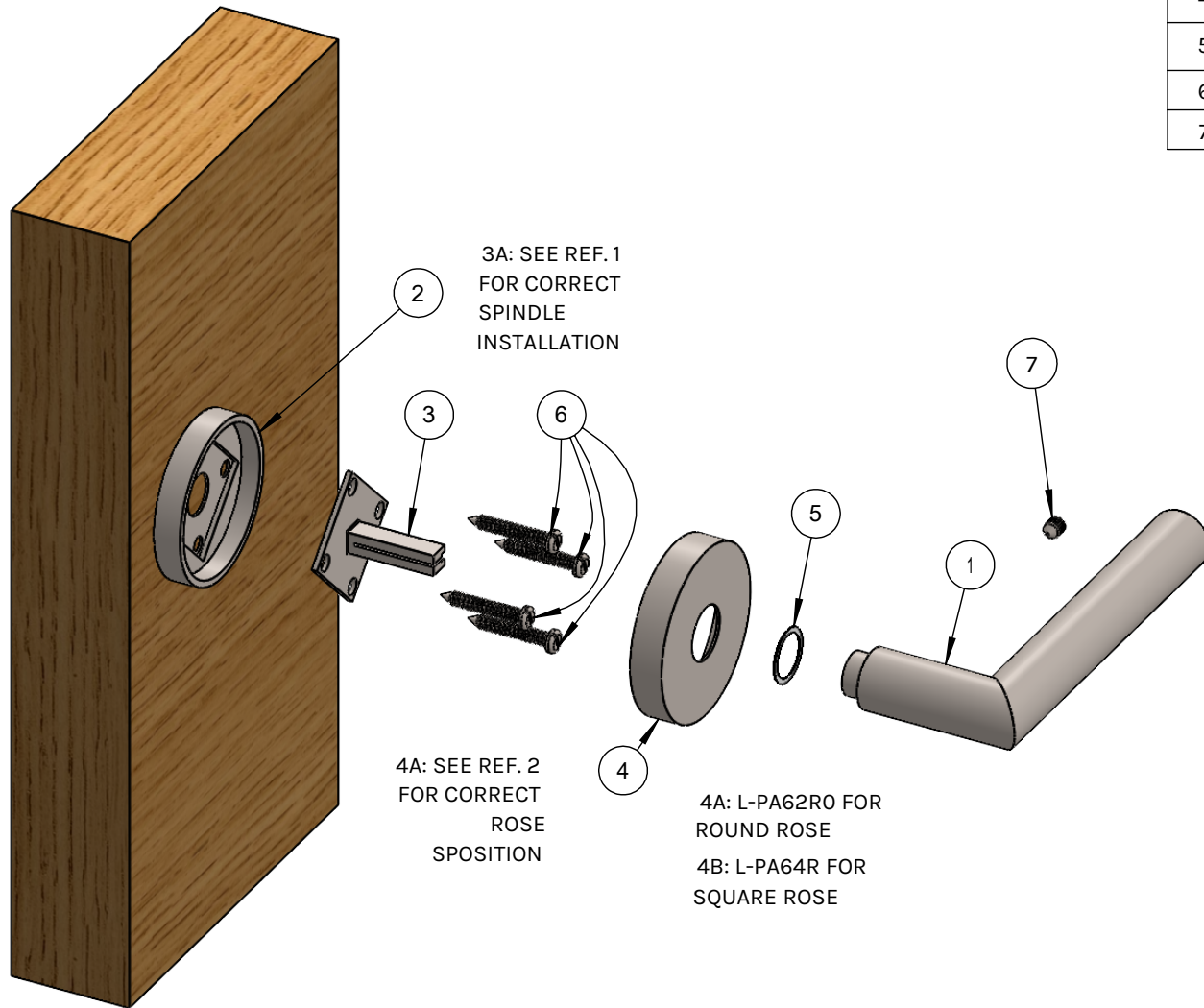
Installation Function Guide

Single Dummy	2
Full Dummy	4
Passage	6
Privacy	9



Single Dummy Installation Diagram

ITEM NO.	PART NUMBER	SKU #	SD. QTY.
1	Lever	LXXMR	1
2	Dummy Adapter	L-DMY60S	1
3	Dummy Spindle	L-DMY60S	1
4	Rose	L-PA62R0 or LPA64R	1
5	Nylon Washer	L-WAS22 or L-WAS19	1
6	Wood Screw	#8 X 25	4
7	Set Screw	M3 X 8 (5/8")	1

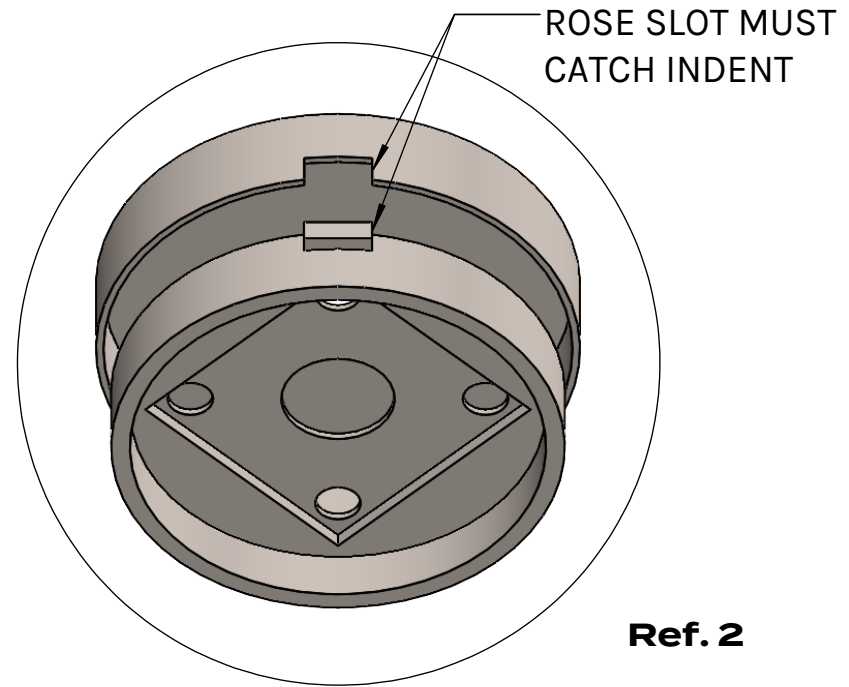
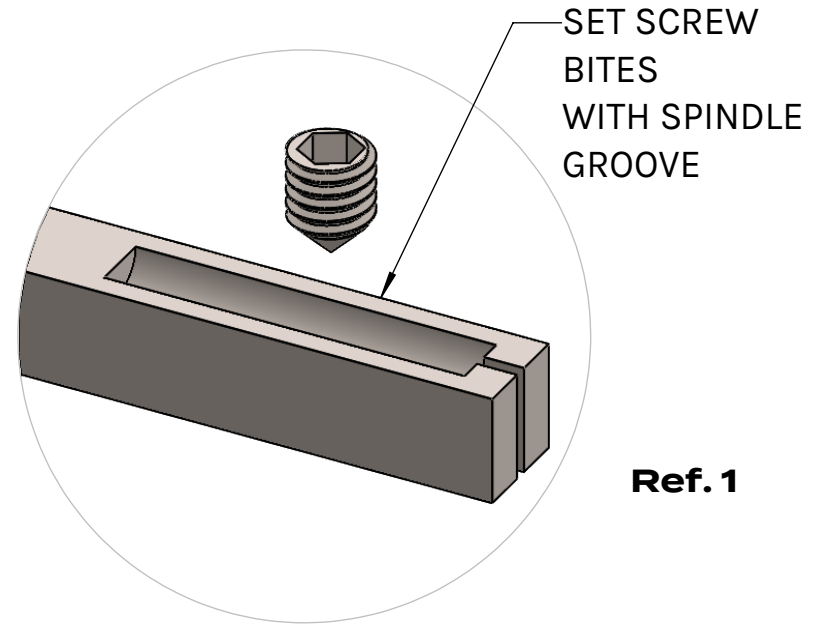
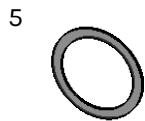
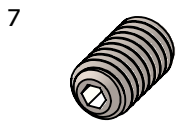
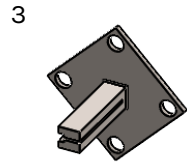
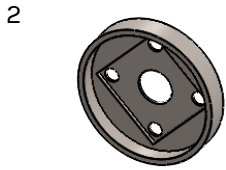
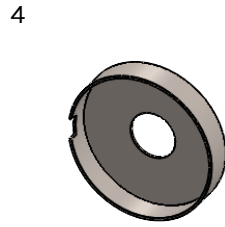
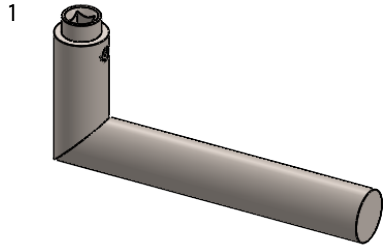


linnea-home.com
(800) 219-2366

PROFESSIONAL INSTALLATION
RECOMMENDED

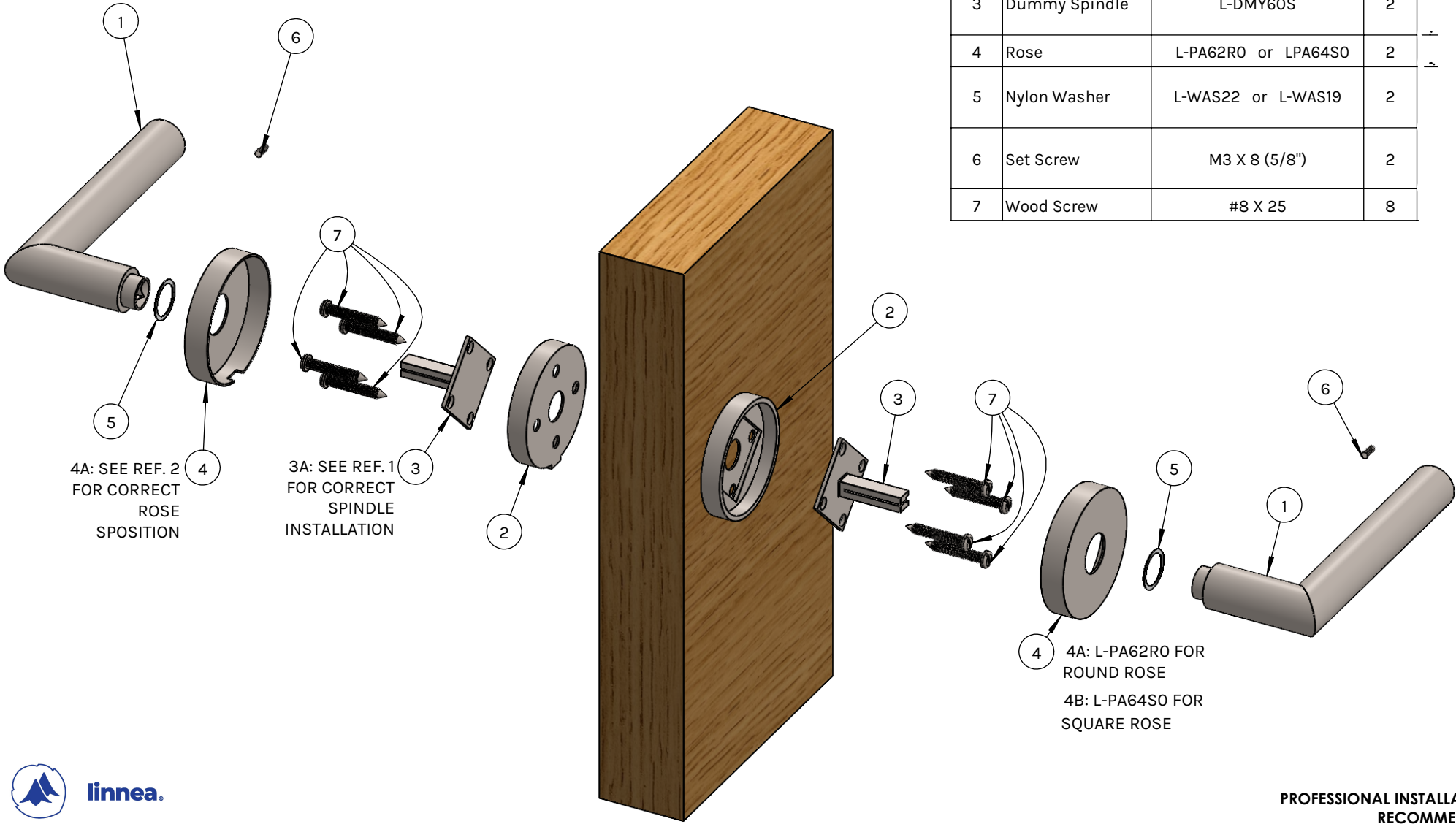
REFER TO CATALOG FOR 316 STAINLESS
STEEL MAINTENANCE

Component List

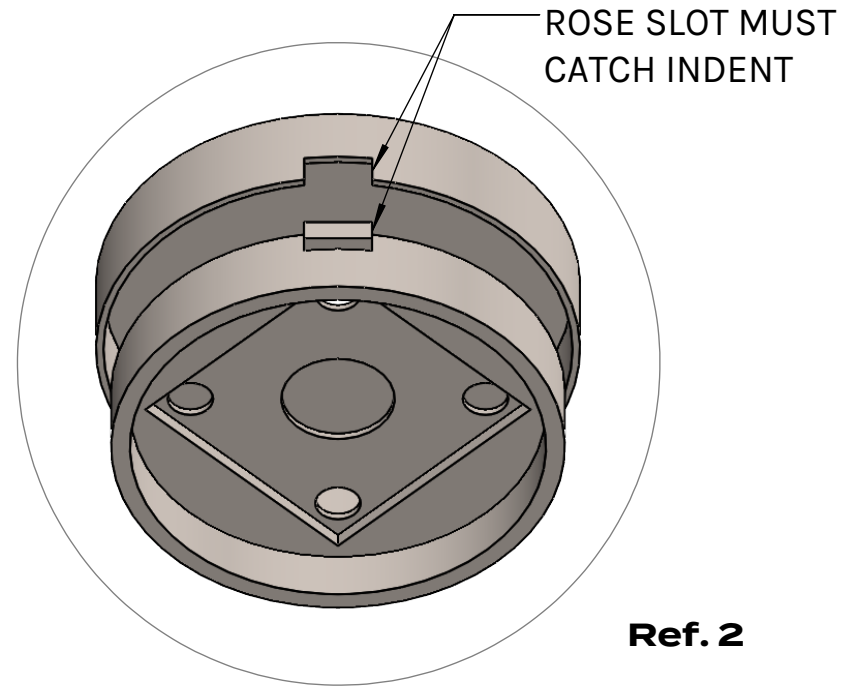
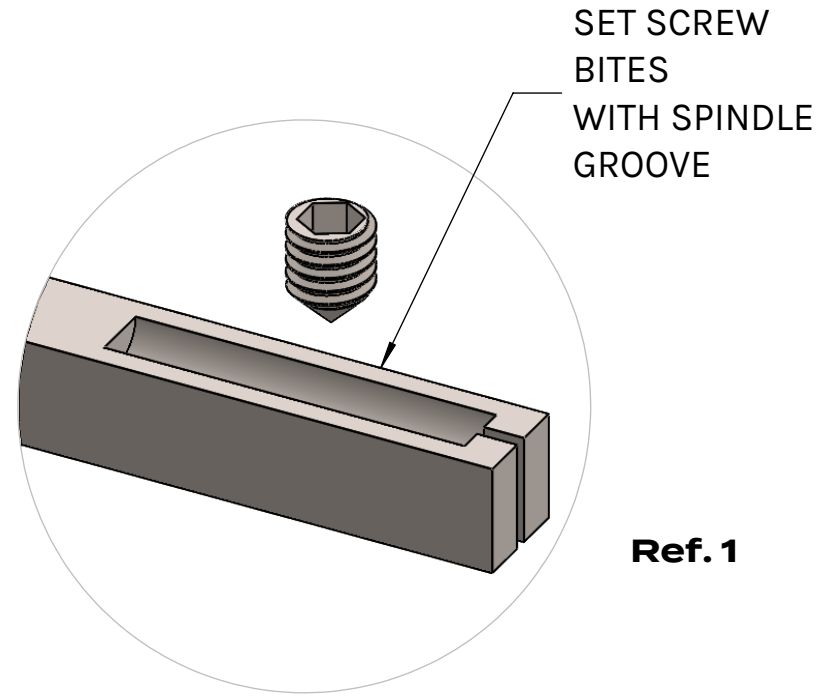
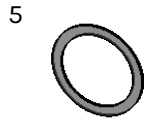
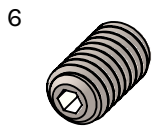
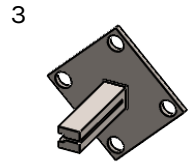
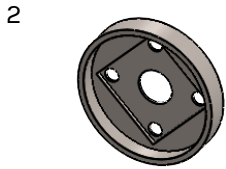
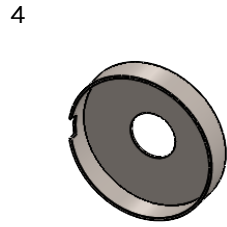
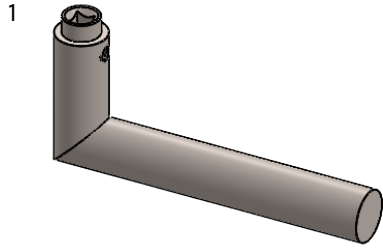


Full Dummy Installation Diagram

ITEM NO.	PART NUMBER	SKU #	FD. QTY.
1	Lever	LXXMR	2
2	Dummy Adapter	L-DMY60S	2
3	Dummy Spindle	L-DMY60S	2
4	Rose	L-PA62R0 or LPA64S0	2
5	Nylon Washer	L-WAS22 or L-WAS19	2
6	Set Screw	M3 X 8 (5/8")	2
7	Wood Screw	#8 X 25	8

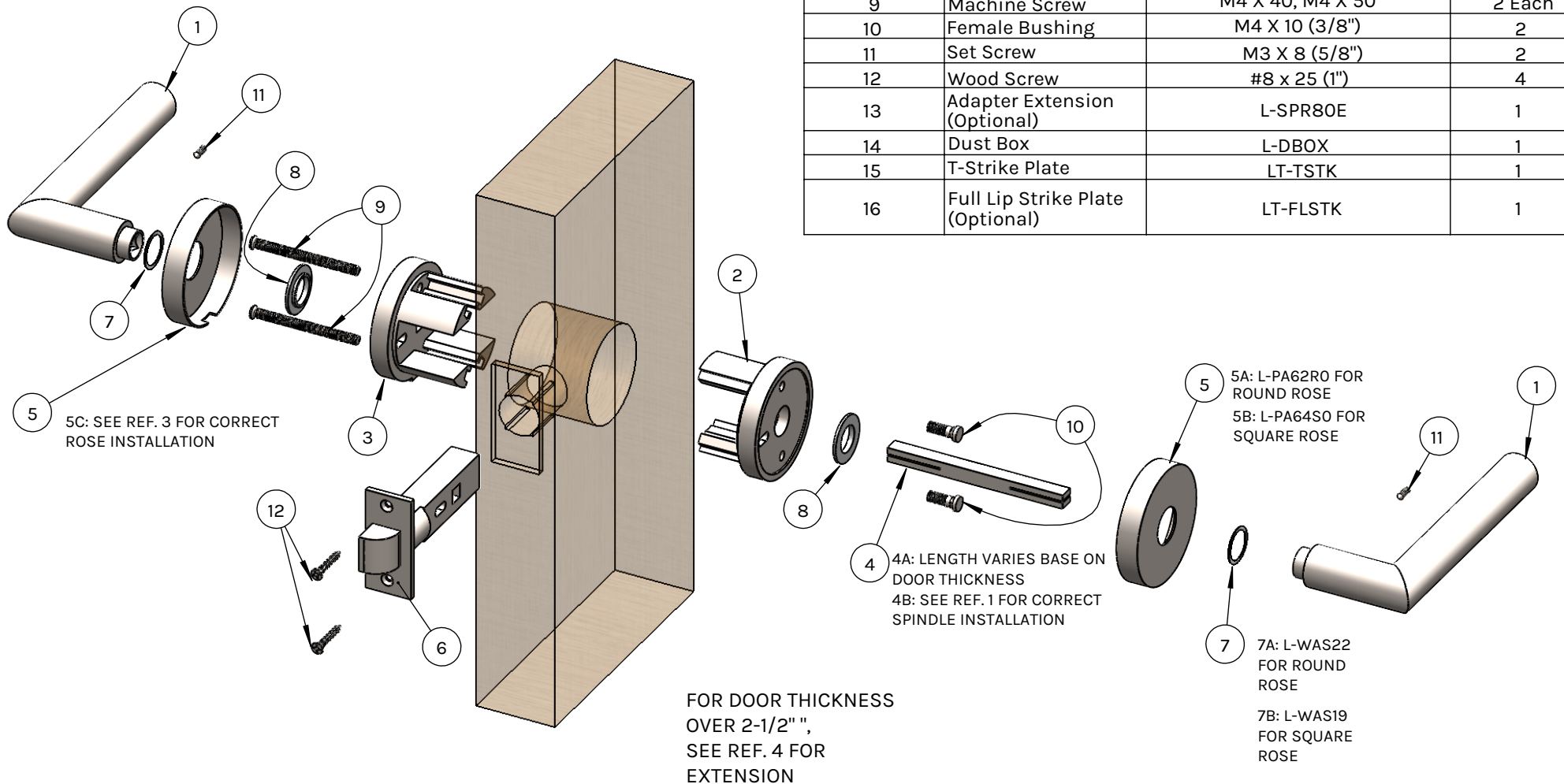


Component List

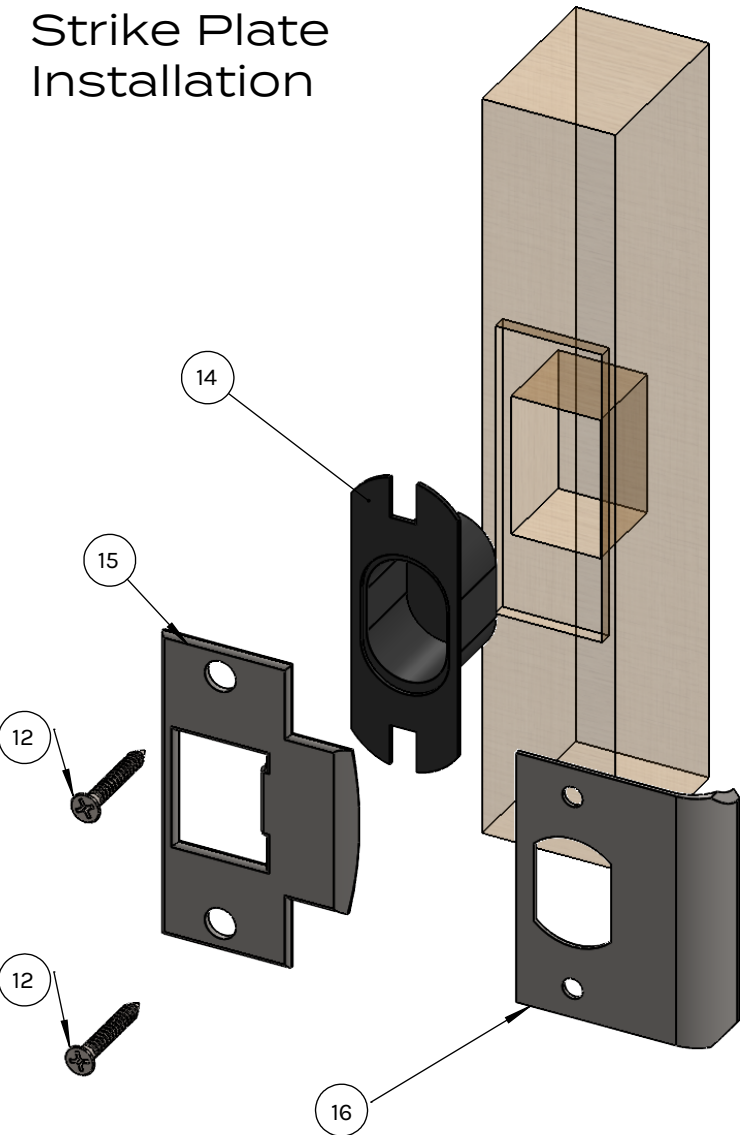


Passage Installation Diagram

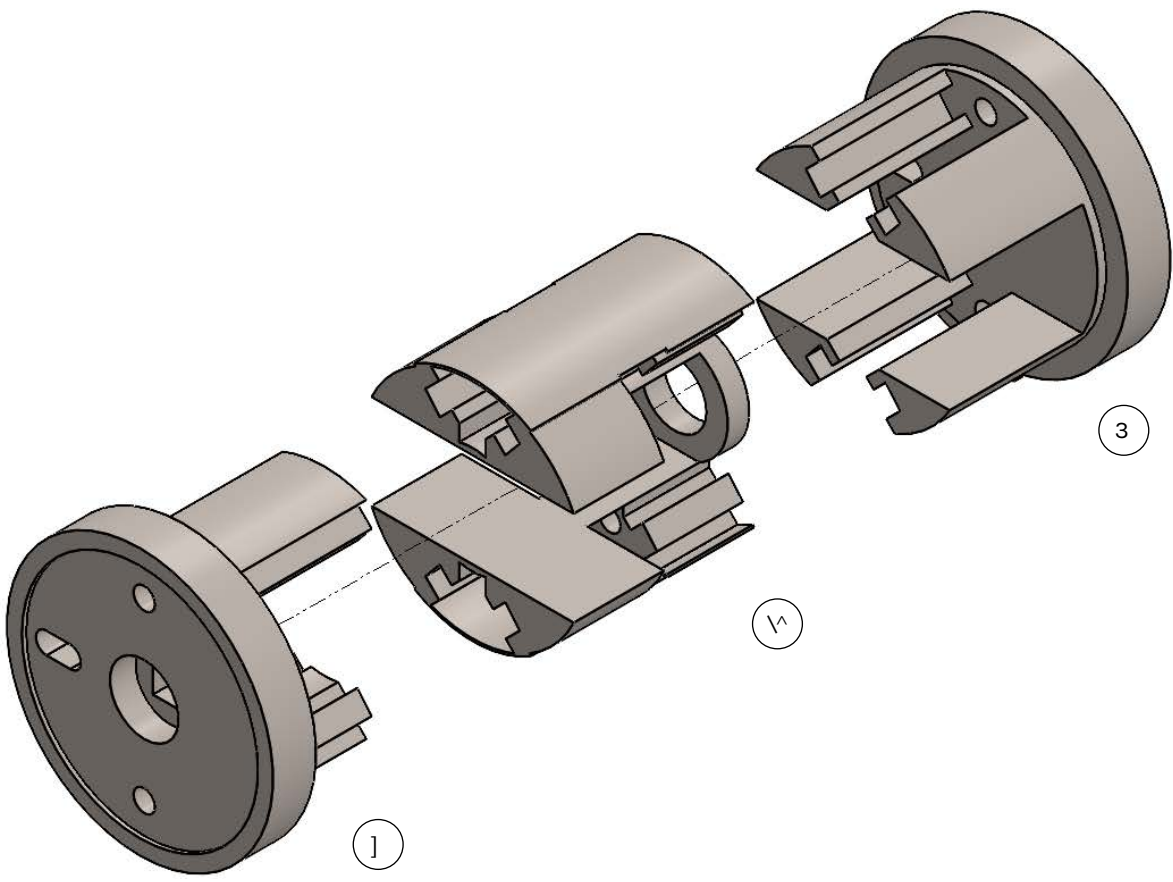
ITEM NO.	PART NAME	SKU #	QTY.
1	Lever	L-XX-MR	2
2	Adapter (M)	L-SPR60 (M)	1
3	Adapter (F)	L-SPR60 (F)	1
4	Spindle	L-SP8PA XXX	1
5	Passage Rose	L-PA62R0 or L-PA64S0	2
6	Passage Latch	LT-2860	1
7	Nylon Washer	L-WAS22 or L-WAS19	2
8	Plastic Spacer	L-SPA25	2
9	Machine Screw	M4 X 40, M4 X 50	2 Each
10	Female Bushing	M4 X 10 (3/8")	2
11	Set Screw	M3 X 8 (5/8")	2
12	Wood Screw	#8 x 25 (1")	4
13	Adapter Extension (Optional)	L-SPR8OE	1
14	Dust Box	L-DBOX	1
15	T-Strike Plate	LT-TSTK	1
16	Full Lip Strike Plate (Optional)	LT-FLSTK	1



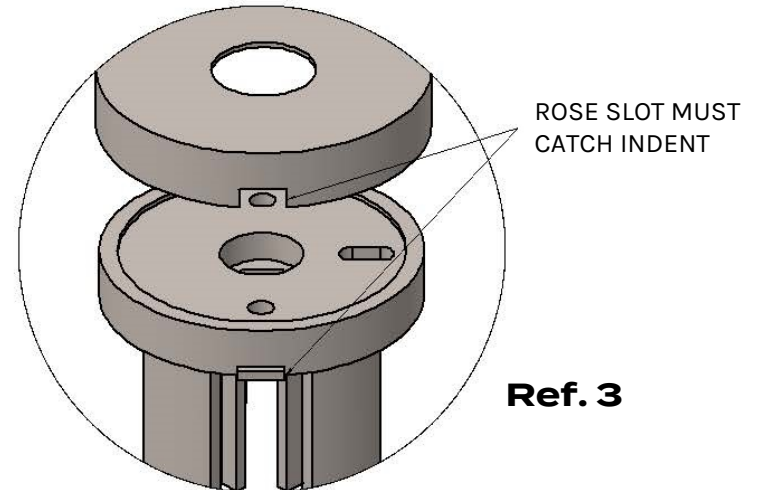
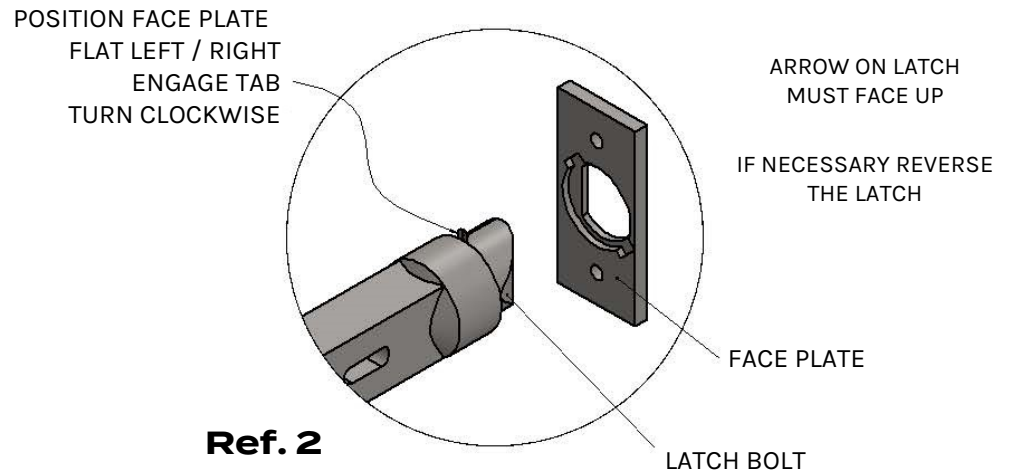
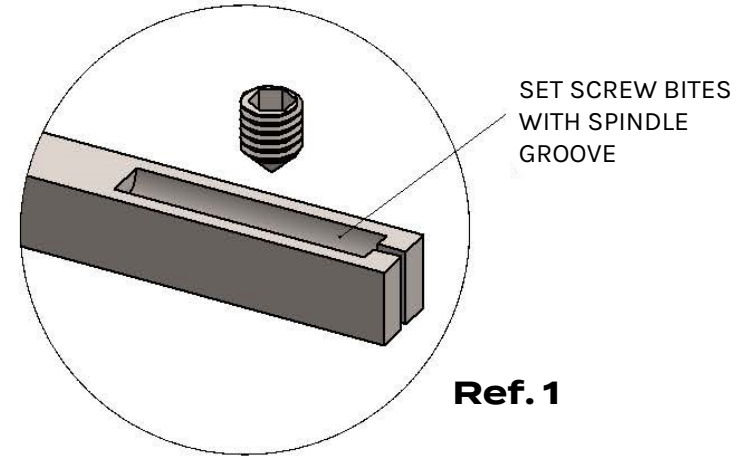
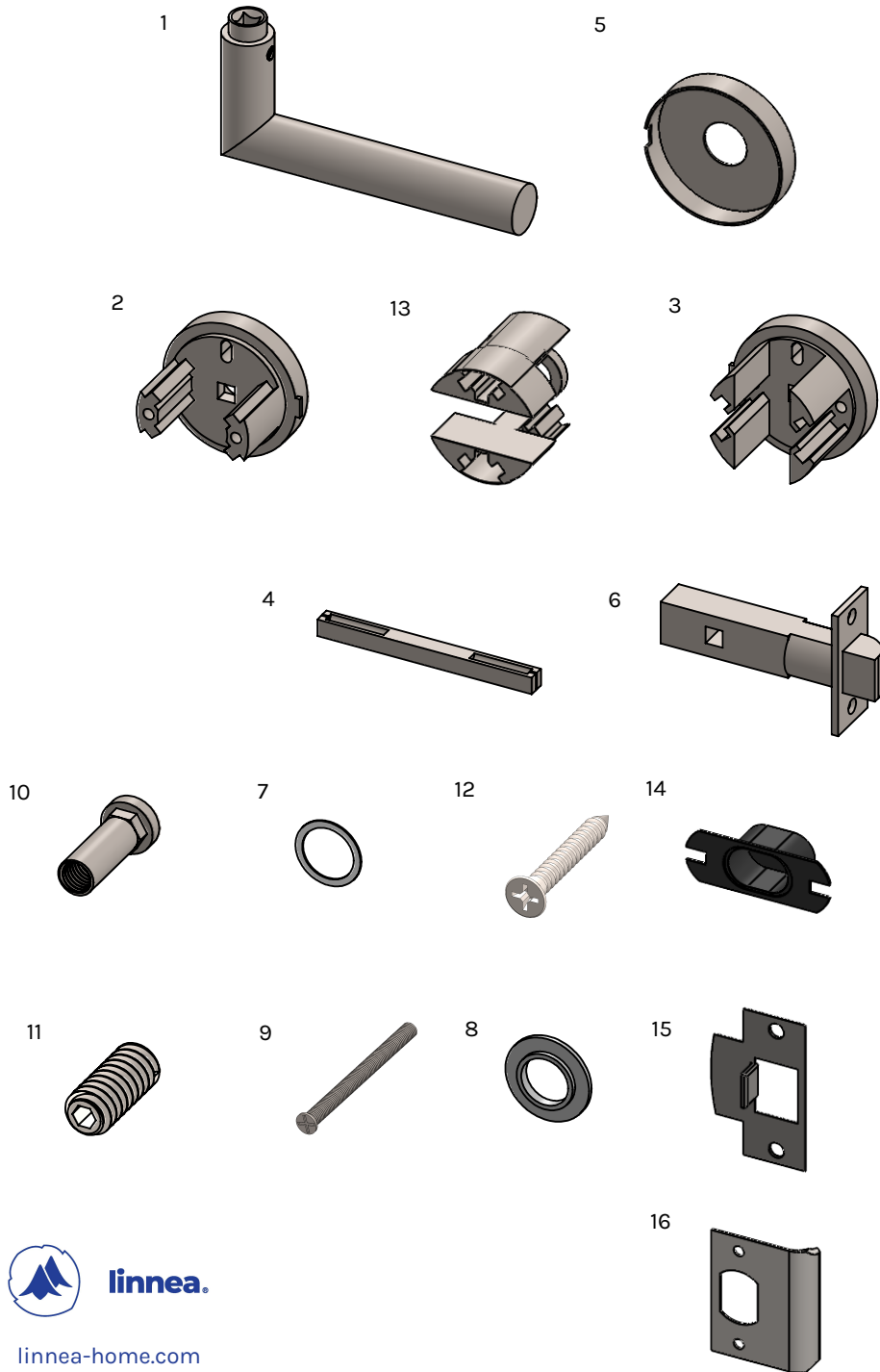
Strike Plate Installation



Extension Installation (For Door Thickness 2-1/2"-3")

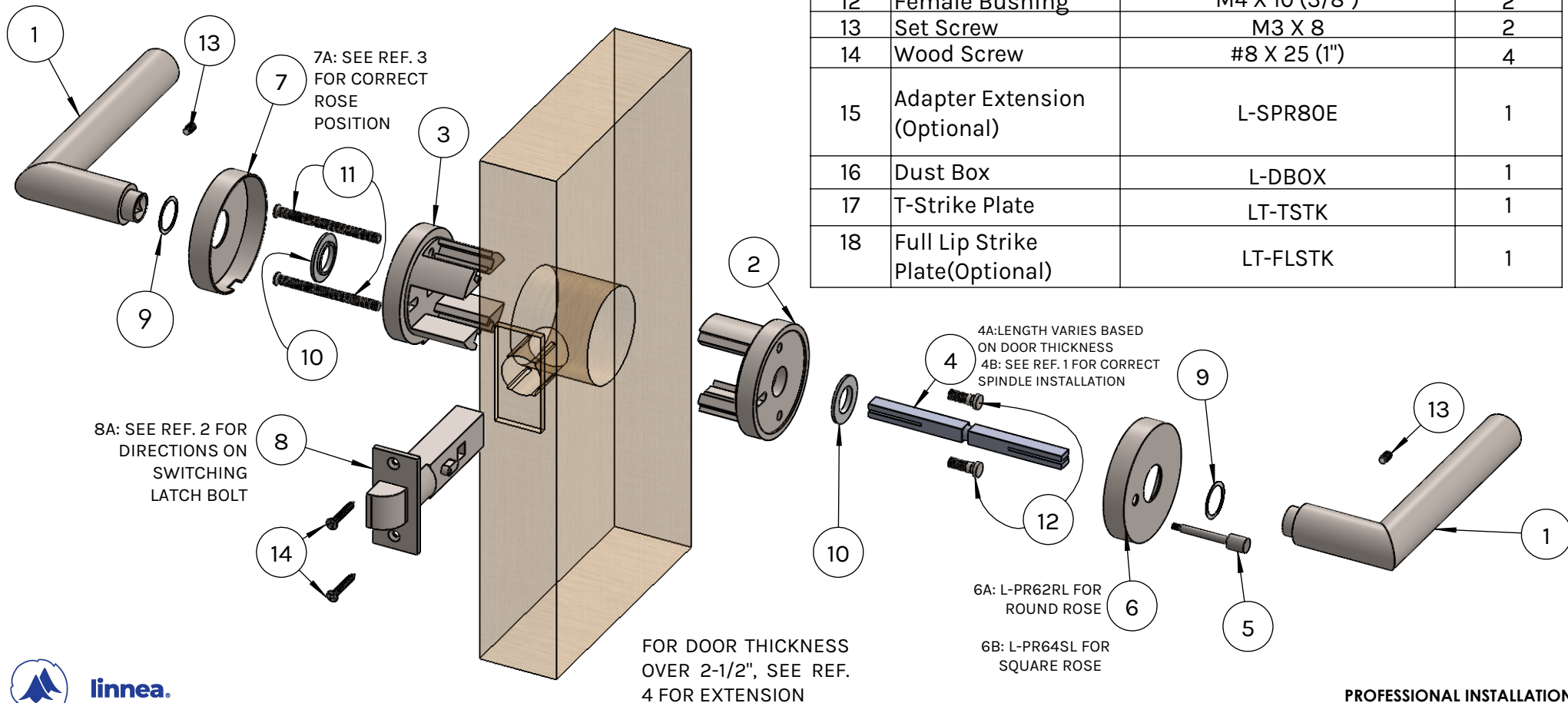


Component List

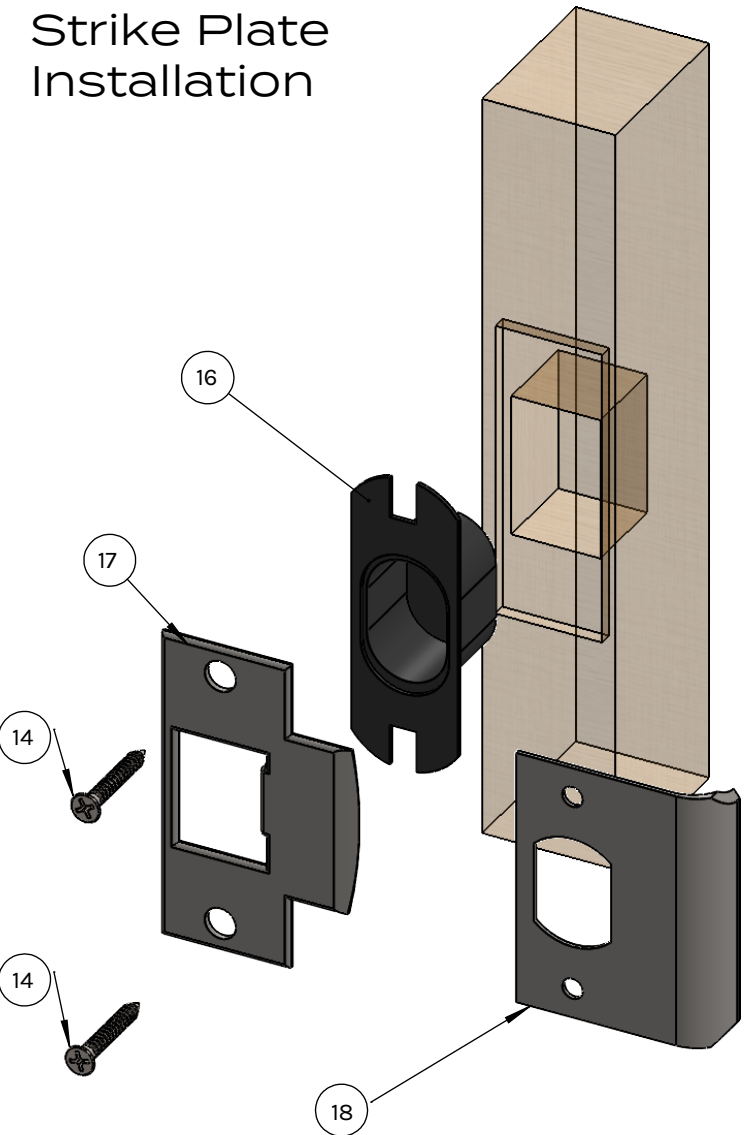


Privacy Installation Diagram

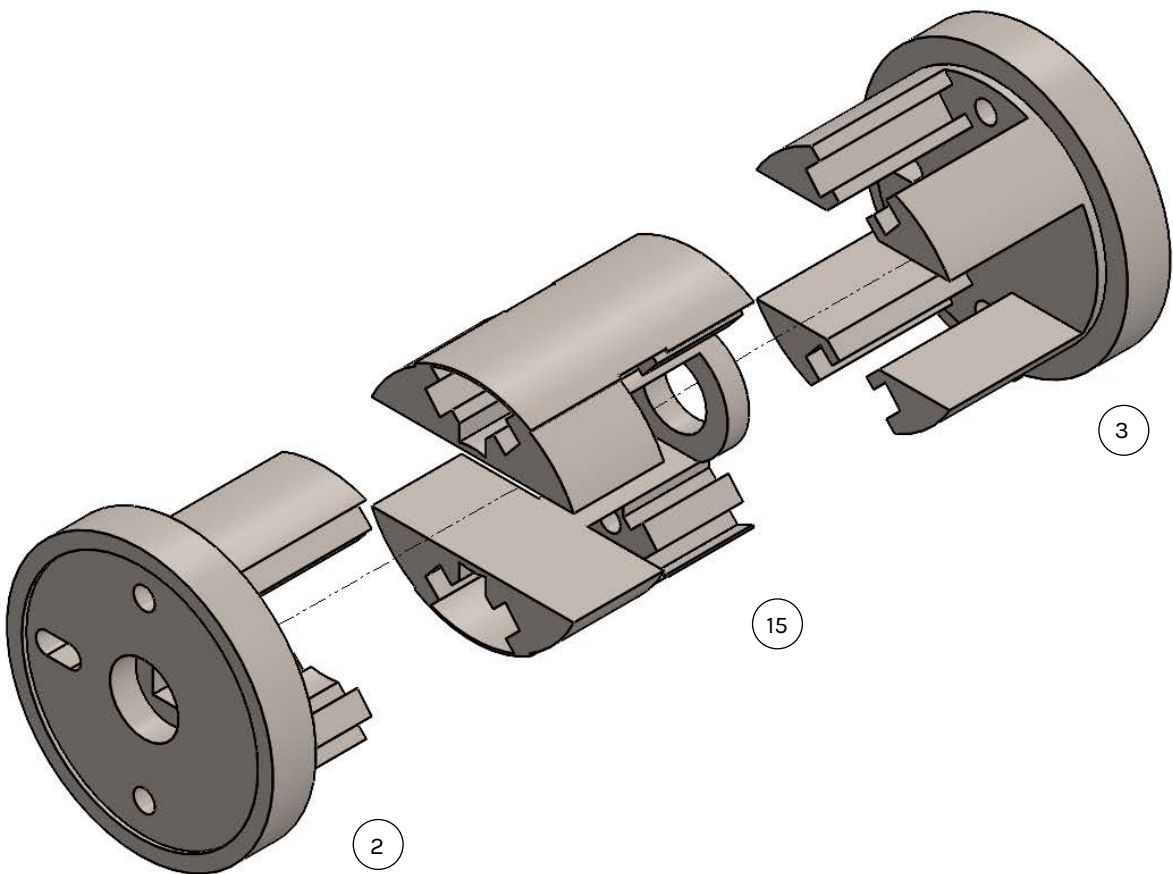
ITEM NO.	PART NAME	DESCRIPTION	QTY.
1	Lever	LXXMR	2
2	Adapter (M)	L-SPR60 (M)	1
3	Adapter (F)	L-SPR60 (F)	1
4	Privacy Spindle	L-SP8PRXXX	1
5	Pin For Privacy	LL-PIN43	1
6	Privacy Rose (L)	L-PR62RL or L-PR64SL	1
7	Privacy Rose (R)	L-PR62RR or L-PR64SR	1
8	Privacy Latch	LT-2861 or LT-2871	1
9	Nylon Washer	L-WAS22 or L-WAS19	2
10	Plastic Spacer	L-SPA25	2
11	Machine Screw	M4 X 40, M4 X 50	2 Each
12	Female Bushing	M4 X 10 (3/8")	2
13	Set Screw	M3 X 8	2
14	Wood Screw	#8 X 25 (1")	4
15	Adapter Extension (Optional)	L-SPR80E	1
16	Dust Box	L-DBOX	1
17	T-Strike Plate	LT-TSTK	1
18	Full Lip Strike Plate(Optional)	LT-FLSTK	1



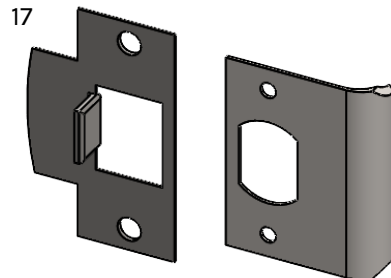
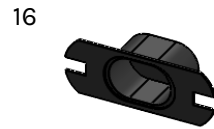
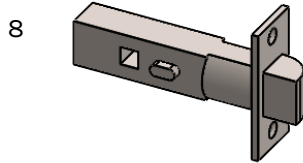
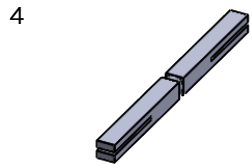
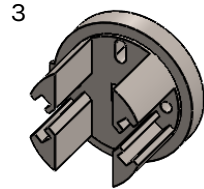
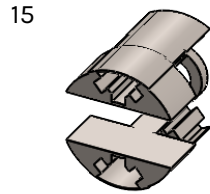
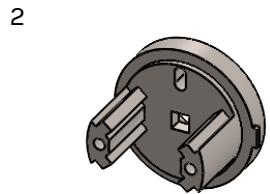
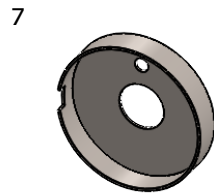
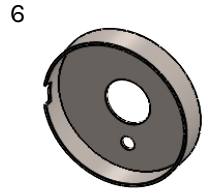
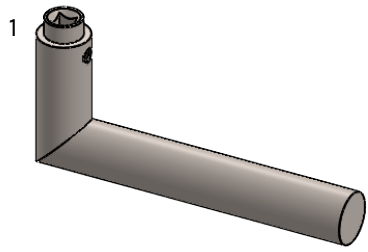
Strike Plate Installation



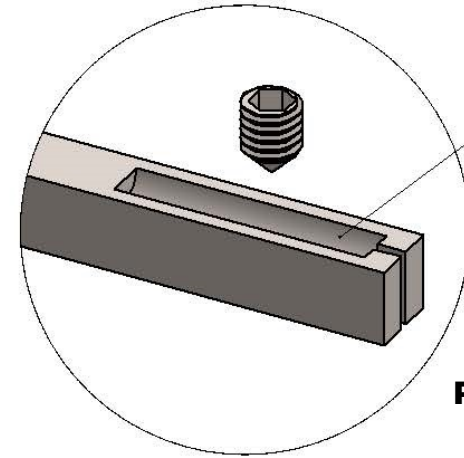
Extension Installation (For Door Thickness 2-1/2"-3")



Component List

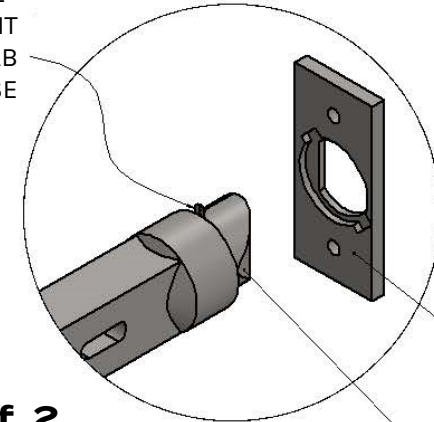


POSITION FACE PLATE
FLAT LEFT / RIGHT
ENGAGE TAB
TURN CLOCKWISE



SET SCREW BITES
WITH SPINDLE
GROOVE

Ref. 1



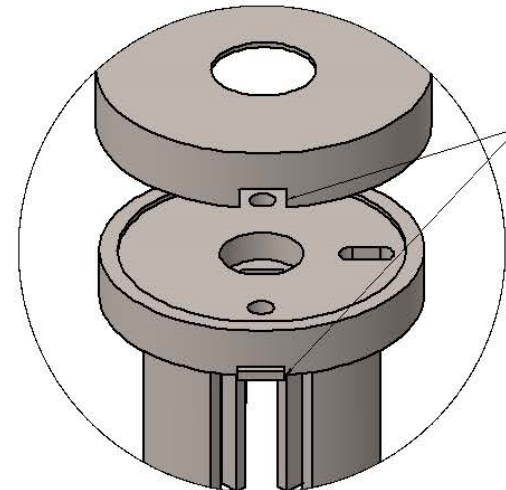
ARROW ON LATCH
MUST FACE UP

IF NECESSARY REVERSE
THE LATCH

FACE PLATE

LATCH BOLT

Ref. 2



ROSE SLOT MUST
CATCH INDENT

Ref. 3