

# PL66 INSTALL TEMPLATE

## Install the Pocket Door Finger Pull EP400

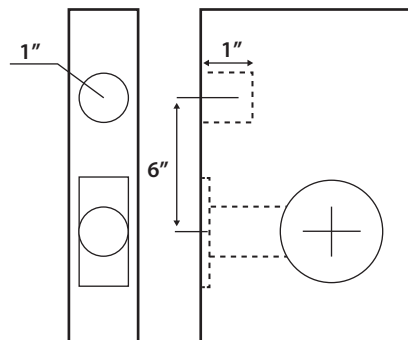
Install the finger pull on the edge of the door.  
 Drill a hole 1 inch in diameter and 1 inch deep, 6 inches above the center of the lock hole, and then screw finger pull into the hole. (You may use construction adhesive to further secure the installation.)



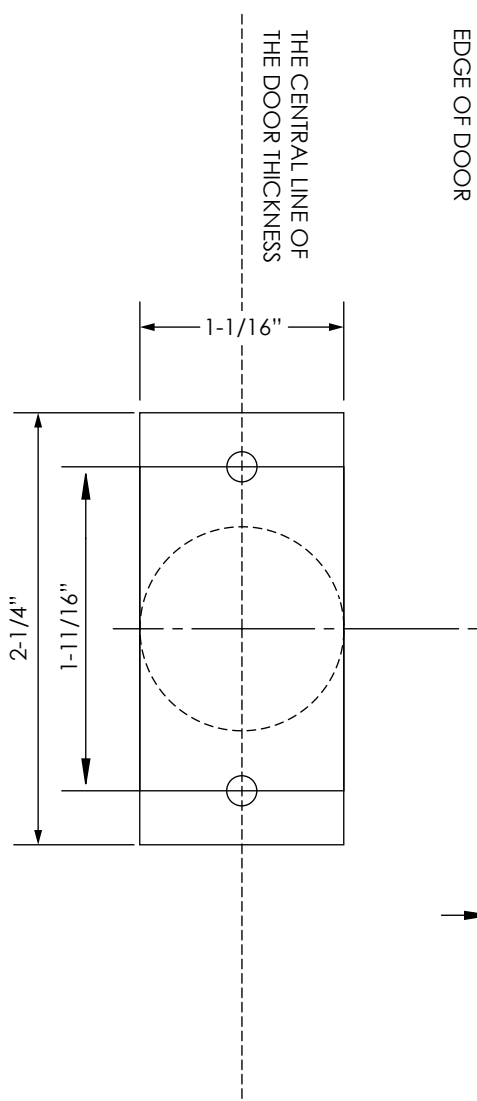
Round Finger Pull (optional)



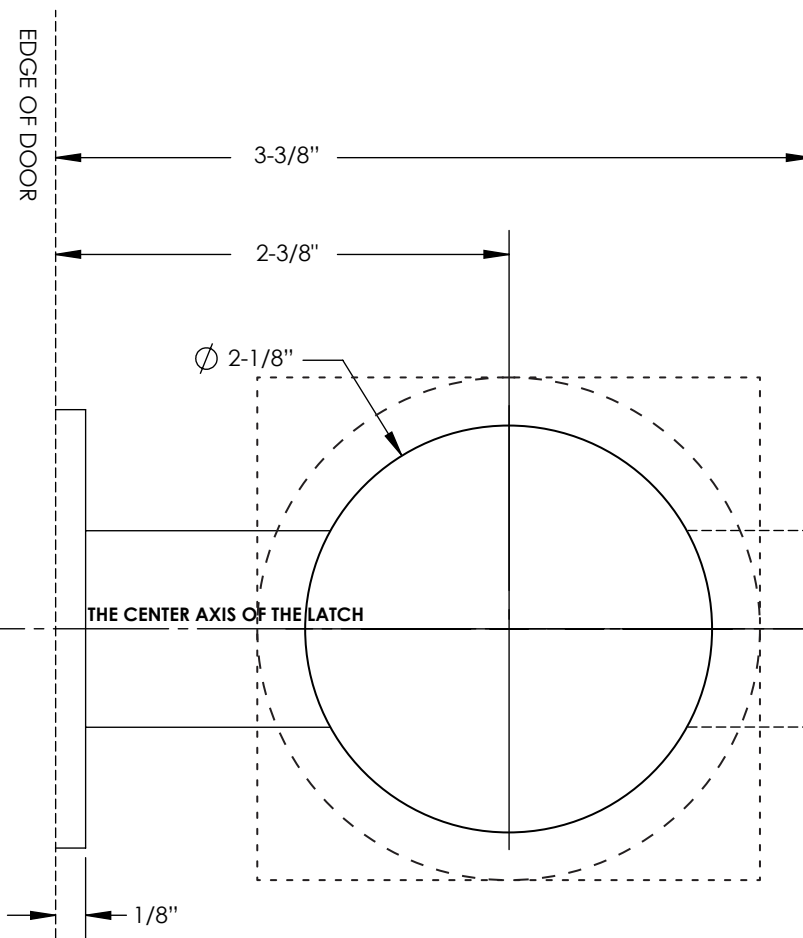
Square Finger Pull (optional)



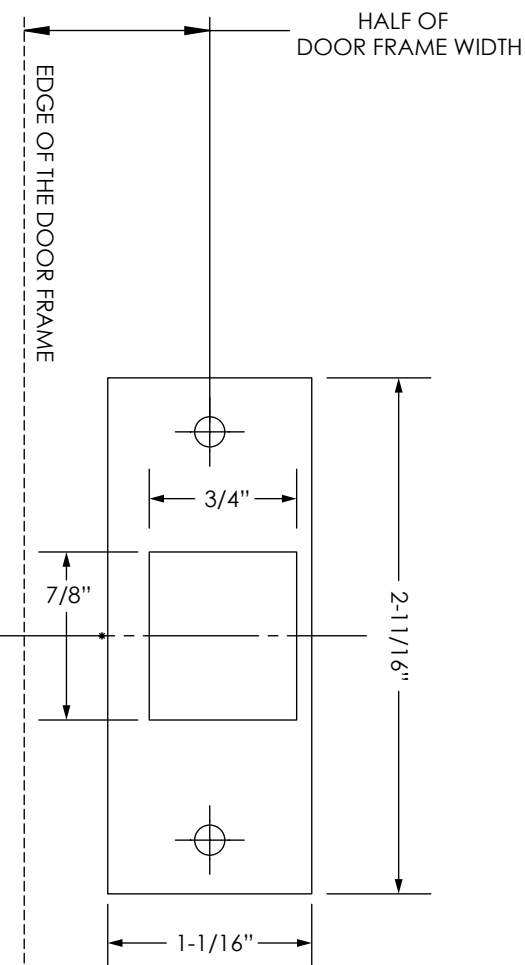
### LATCH TEMPLATE



### TRIM TEMPLATE



### STRIKE TEMPLATE



Note: See notes page before marking or cutting.

# PL66 Install Template

## Important Notes for PL66 Template Usage

- **Print at 100% scale.** Any shrinkage or enlargement may result in inaccurate door cutting.
- **Trim width** is indicated by dotted lines. Do not recess the trim unless the door thickness is **1-3/4" (44.45 mm) or greater.**
- Recommended installation height: **38" – 39" (965 mm – 990 mm)** from the floor to the center of the turn piece.

