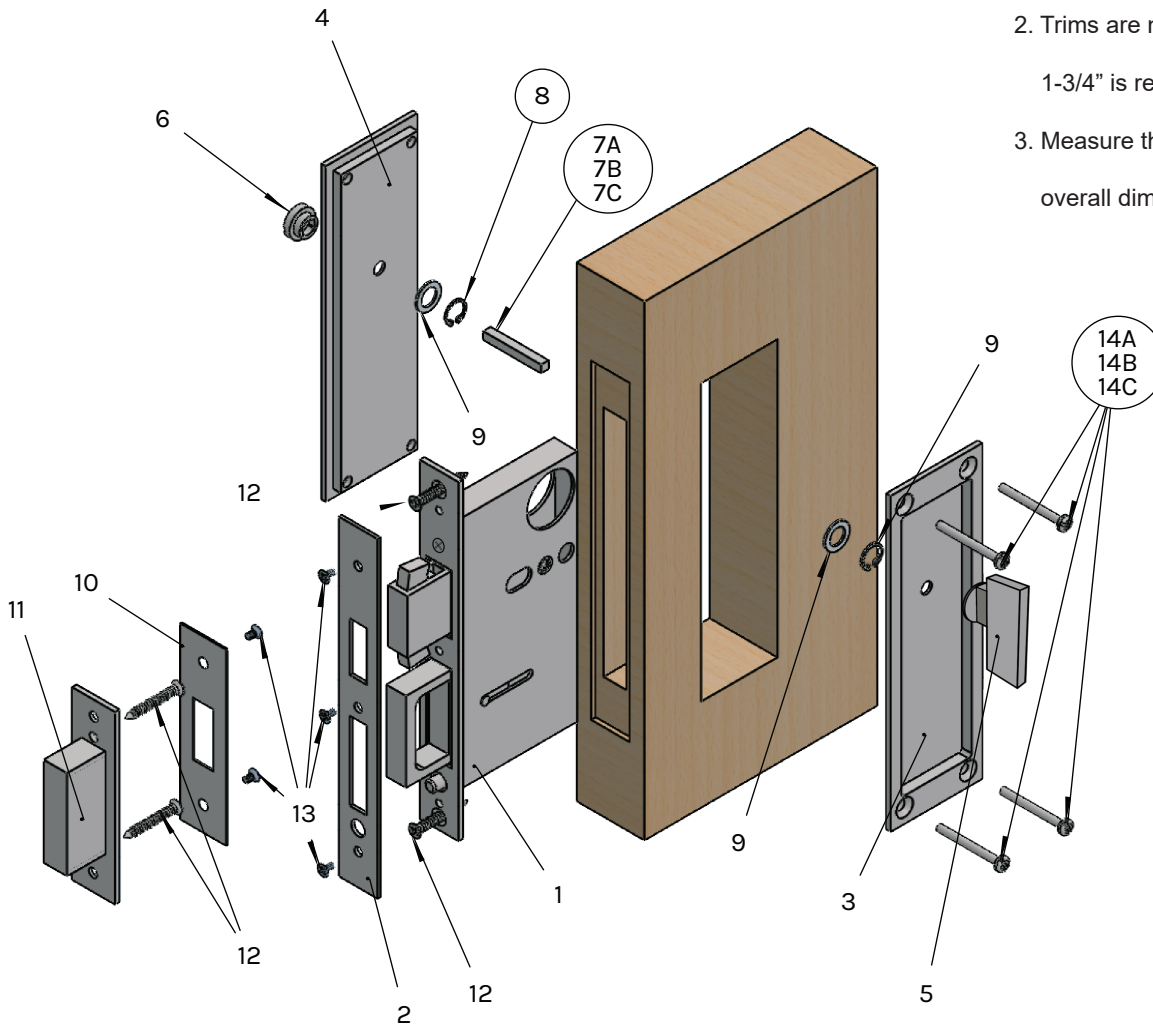


# PL190 ADA Privacy Diagram Installation

1. Turnpiece is supplied pre-installed on the inside trim.
2. Trims are not required to be recessed to accommodate pocket width; but a door thickness of 1-3/4" is required if opting for a recessed trim. Trims cannot be recessed on a 1-3/8" thick door.
3. Measure the trim dimensions before cutting the door due to minor tolerances in overall dimensions.



ITEM NO.	PART NAME	SKU #	QTY.
1	PL 190 Mortise Lock	PLM-203PR	1
2	Face Plate	PLM-203PR-FP	1
3	Inside Trim	PLA190ST-I	1
4	Outside Trim	PLA190ST-O	1
5	ADA Turnpiece	PL-KNSTR	1
6	Emergency Release	PL-KNADA	1
7A	Spindle 31	PL-SPDL31	1
7B	Spindle 36	PL-SPDL36	1
7C	Spindle 41	PL-SPDL41	1
8	Snap Ring	PL-CCLIPS	2
9	Plastic Spacer	PL-WAS12	2
10	Strike Plate	PLM-203PR-ST	1
11	Dust Box	PL-DBOX190	1
12	Wood Screw	#8 x 3/4	4
13	Plate Screw	PLSCR6	5
14A	Machine Screw	PL-OVSCR35	4
14B	Machine Screw	PL-OVSCR45	4
14C	Machine Screw	PL-OVSCR48 Breakaway	4

